

## 8FBMHT60, 70, 85

Truck specifications					8FBMHT60	8FBMHT70	8FBMHT85		
Identification	1.1	Manufacturer			TOYOTA	TOYOTA	TOYOTA		
	1.2	Model			8FBMHT60	8FBMHT70	8FBMHT85		
	1.3	Drive			Electric	Electric	Electric		
	1.4	Operator type			Rider seated	Rider seated	Rider seated		
	1.5	Load capacity/rated load	Q	kg	6000	7000	8500		
	1.6	Load centre	c	mm	600	600	600		
	1.8	Load distance, centre of drive axle to fork	x	mm	595	620	640		
	1.9	Wheelbase	y	mm	2000	2000	2000		
Weight	2.1	Service weight		kg	10115	10784	12326		
	2.2	Axle load, with load, front/rear		kg	13996/2119	16042/1742	18821/2005		
	2.3	Axle load, without load, front/rear		kg	4411/5704	4772/6012	5051/7275		
Tyres	3.1	Tyre - pneumatic (P), pneumatic shaped cushion (SE), solid rubber (R)			SE	SE	SE		
	3.2	Tyre size, front			355/65-15   8,25-15 <sup>1)</sup>	8,25-15	8,25-15		
	3.3	Tyre size, rear			250-15	250-15	250-15		
	3.5	Wheels, number front/rear (x=driven wheels)			2x/2   4x/2 <sup>1)</sup>	4x/2	4x/2		
	3.6	Track width, front	b <sub>10</sub>	mm	1450	1472 <sup>1)</sup>	1472		
	3.7	Track width, rear	b <sub>11</sub>	mm	1270	1270	1270		
	Dimensions	4.1	Tilt of mast/fork carriage forward/backward			$\alpha/\beta$	deg	5/10	5/10
4.2		Height, mast lowered			h <sub>1</sub>	mm	2530	2580	2580
4.3		Free lift			h <sub>2</sub>	mm	100	100	100
4.4		Lift			h <sub>3</sub>	mm	3150	3150	3140
		Lift height			h <sub>23</sub>	mm	3210	3210	3220
4.5		Height, mast extended			h <sub>4</sub>	mm	4055	4105	4105
4.7		Height of overhead guard (cab)			h <sub>6</sub>	mm	2570	2570	2570
4.8		Seat height/stand height			h <sub>7</sub>	mm	1379	1379	1379
4.12		Coupling height			h <sub>10</sub>	mm	630	630	630
4.19		Overall length			l <sub>1</sub>	mm	4425	4450	4543
4.20		Length to face of forks			l <sub>2</sub>	mm	3225	3250	3343
4.21		Overall width			b <sub>1</sub>	mm	1750   1972 <sup>1)</sup>	1972	1972
4.22		Fork dimensions			s/e/l	mm	60/200/1200	60/200/1200	70/200/1200
4.23		Fork carriage DIN 15 173, class/type A, B					IV A	IV A	V A
4.24		Fork-carriage width			b <sub>3</sub>	mm	1700	1700	1700
4.31		Ground clearance, with load, below mast			m <sub>1</sub>	mm	205	205	205
4.32		Ground clearance, centre of wheelbase			m <sub>2</sub>	mm	180	180	180
4.33		Aisle width for pallets 1000 x 1200 crossways			A <sub>st</sub>	mm	4989	5014	5095
4.34	Aisle width for pallets 800 x 1200 lengthways			A <sub>st</sub>	mm	5189	5214	5295	
4.35	Turning radius			W <sub>a</sub>	mm	3194	3194	3255	
4.36	Internal turning radius			b <sub>13</sub>	mm	1252	1252	1252	
Performance data	5.1	Travel speed, with/without load				km/h	14,0/16,0	14,0/16,0	13,5/16,0
	5.2	Lift speed, with/without load				m/s	0,32/0,42	0,27/0,40	0,24/0,32
	5.3	Lowering speed, with/without load				m/s	0,49/0,38	0,50/0,40	0,44/0,30
	5.5	Drawbar pull, with/without load				N	13000	13000	13000
	5.6	Max. drawbar pull, with/without load				N	35000	35000	35000
	5.7	Gradeability, with/without load				%	13/16	12/15	11/13
5.8	Max. gradeability, with/without load				%	16/18	15/17	14/16	
5.10	Service brake					Hydraulic	Hydraulic	Hydraulic	
Electric motor	6.1	Drive motor rating S2 60 min				kW	27,1	27,1	27,1
	6.2	Lift motor rating S3 15%				kW	2x20	2x20	2x20
	6.3	Battery acc. to DIN 43 531/35/36 A, B, C, no					—	—	—
	6.4	Battery voltage, nominal capacity K5				V/Ah	80/640	80/640	80/1050
	6.5	Battery weight				kg	1150x2	1150x2	1350x2
Others	8.1	Type of drive control					inverter MOSFET	inverter MOSFET	
	8.2	Operating pressure for attachments				bar	190	190	190
	8.3	Oil volume for attachments				l/min	70	70	70
	8.4	Sound level at the driver's ear according to EN 12 053				dB(A)			

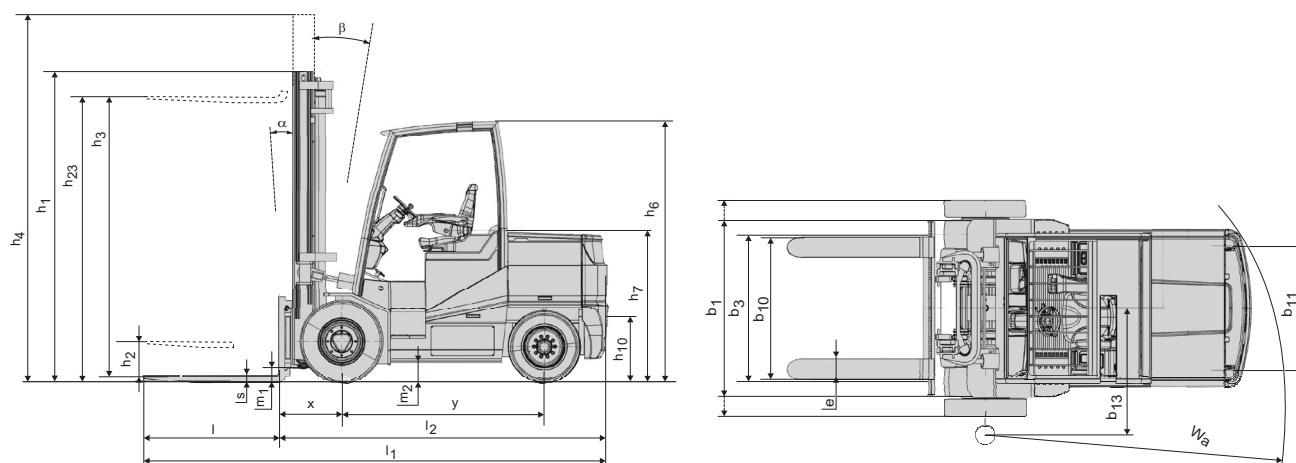
1) Dual tyres optional.

## Mast dimensions and rated capacities

Model			V							FW				FSW				
8FBMHT60	Lift height	$h_{23}$	3210	3710	4210	4710	5010	5610	6010	3710	4210	4710	5510	4510	5010	5610	6010	6510
	Lift	$h_3$	3150	3650	4150	4650	4950	5550	5950	3650	4150	4650	5450	4450	4950	5550	5950	6450
	Height, mast lowered	$h_1$	2530	2780	3030	3330	3480	3830	4030	2830	3080	3330	3780	2680	2830	3080	3180	3355
	Height, mast extended	$h_4$	4055	4555	5055	5605	5905	6505	7005	4680	5180	5680	6480	5480	5980	6580	6980	7475
	Free lift	$h_2$	100	100	100	100	100	100	100	1800	2050	2350	2750	1650	1800	2050	2150	2350
8FBMHT70	Lift height	$h_{23}$	3210	3710	4210	4710	5010	5610	6010	3710	4210	4710	5510	4510	5010	5610	6010	6510
	Lift	$h_3$	3150	3650	4150	4650	4950	5550	5950	3650	4150	4650	5450	4450	4950	5550	5950	6450
	Height, mast lowered	$h_1$	2580	2830	3080	3380	3530	3830	4080	2830	3080	3330	3780	2680	2830	3080	3180	3355
	Height, mast extended	$h_4$	4105	4605	5105	5655	5955	6555	7005	4680	5180	5680	6480	5480	5980	6580	6980	7475
	Free lift	$h_2$	100	100	100	100	100	100	100	1800	2050	2350	2750	1650	1800	2050	2150	2350
8FBMHT85	Lift height	$h_{23}$	3220	3720	4220	4720	5020	5620	6020	3720	4220	4720	5520	4520	5020	5620	6020	6520
	Lift	$h_3$	3140	3640	4140	4640	4940	5540	5940	3640	4140	4640	5440	4440	4940	5540	5940	6440
	Height, mast lowered	$h_1$	2580	2830	3080	3380	3530	3830	4080	2830	3080	3330	3780	2680	2830	3080	3180	3355
	Height, mast extended	$h_4$	4105	4605	5105	5655	5955	6555	7005	4680	5180	5680	6480	5480	5980	6580	6980	7475
	Free lift	$h_2$	100	100	100	100	100	100	100	1800	2050	2300	2750	1650	1800	2050	2150	2350

Single tyre			V							FW				FSW				
8FBMHT60	Tilt range, forward	deg	5	5	5	5	5	5	5	5	5	5	5	5	5	5	5	5
	Tilt range, backward	deg	10	10	10	10	10	10	10	8	8	8	8	8	8	8	8	8
	Load capacity at 600 mm LC, SE tyres	kg	6000	6000	6000	5800	5500	5200	4900	6000	6000	5800	5000	6000	5800	5400	5100	4600

Dual tyre			V							FW				FSW				
8FBMHT70	Tilt range, forward	deg	5	5	5	5	5	5	5	5	5	5	5	5	5	5	5	5
	Tilt range, backward	deg	10	10	10	10	10	10	10	8	8	8	8	8	8	8	8	8
	Load capacity at 600 mm LC, SE tyres	kg	7000	7000	6900	6800	6200	6000	5900	7000	6900	6800	6000	6650	6450	6200	6000	5500
8FBMHT85	Tilt range, forward	deg	5	5	5	5	5	5	5	5	5	5	5	5	5	5	5	5
	Tilt range, backward	deg	10	10	10	10	10	10	10	8	8	8	8	8	8	8	8	8
	Load capacity at 600 mm LC, SE tyres	kg	8500	8200	8000	7800	7600	7100	6600	8200	8000	7800	7100	7650	7400	7150	6900	6400



Underclearance		
Mast, load	mm	205
Drive Axle, load	mm	184
Steer Axle, no load	mm	191
Center of Wheelbase, load	mm	180
Counterweight, no load	mm	213

**Standard equipment**

8FBMHT60, 70, 85	
• Toyota SAS (System of Active Stability)	• Long forks [Length: 1200 mm]
• Toyota AC <sup>2</sup> power system	• 4-way valve (A405)
• Operator Presence Sensing System (OPS)	• Wet disk brakes
• Toyota ORS (Operator Restrain System)	• Full hydraulic power steering
• Seat mounted hydraulic minilevers	• Digital multifunction display
• Direction switch on armrest	• Adjustable tilt steering column
• Wide Visible Mast [V3210 mm]	• Pneumatic shaped cushion tyres (single: 8FBMHT60; dual: 8FBMHT70-85)
• Long forkbar [Width: 1700 mm]	

**Options availability**

Model	Option code	8FBMHT60	8FBMHT70	8FBMHT85
<b>LOAD HANDLING</b>				
Wide Visible mast (V)	* M00B	●	●	●
Full-free Lift Two-Stage mast (FW)	* M00O	●	●	●
Full-free Lift Three-Stage mast (FSW)	* M00L	●	●	●
Long forks	M20A	●	●	●
w/o Fork set	M20N	●	●	●
w/o Mast and Forks	M02B	●	●	●
Long forkbar	M30A	●	●	●
Load backrest H = 1500mm	M33A	●	●	●
Shockless landing lift	* M62A	●	●	●
4-way valve 2 Hoses (A430)	* A430	●	●	●
4-way valve 4 Hoses (A450)	* A450	●	●	●
5-way valve 4 Hoses (A459)	* A459	●	●	●
5-way valve 6 Hoses (A465)	* A465	●	●	●
Integrated sideshift (A430 included)	* E811A	●	●	●
Integrated sideshift (A450 included)	* E811B	●	●	●
Integrated sideshift (A459 included)	* E811C	●	●	●
Integrated sideshift (A465 included)	* E811D	●	●	●
Fork positioner (A450 included)	* E711B	●	●	●
Fork positioner (A459 included)	* E711C	●	●	●
Fork positioner (A465 included)	* E711D	●	●	●
<b>LIGHT AND INDICATORS</b>				
Yellow beacon lamp (flashing, upper OHG)	* J19I	●	●	●
Yellow beacon lamp (flashing, lower OHG) (only for trucks without cabin or panels)	* J19O	●	●	●
Yellow beacon lamp (rotary, upper OHG)	* J19A	●	●	●
Yellow beacon lamp (rotary, lower OHG) (only for trucks without cabin or panels)	* J19D	●	●	●
Front combination lights (not including headlights)	* J20B	●	●	●
Rear combination lights	* J21A	●	●	●
LED Headlights (incl. guard)	* J24C	●	●	●
LED Rear working light	* J26C	●	●	●
LED Double rear working light	* J26D	●	●	●
Back-up buzzer	* K21D	●	●	●
Mast tilt indicator	* N14A	●	●	●
<b>BODY</b>				
External rear view mirrors (left and right)	* J10B	●	●	●
Flat internal rear view mirror	* J10M	●	●	●
Panoramic rear view mirror	* J10J	●	●	●
Maximum drive speed and acceleration reduction with lifted load	* K39A	●	●	●
Steel cabin without heater	* H02A	●	●	●
Cabin without doors (incl. front glass with wiper, glass roof, rear glass)	* H02O	●	●	●
Canvas cabin (with wiper & roof)	* H02C	●	●	●
Front windshield with wiper & glass roof	* H02D	●	●	●
Top panel (glass)	* H01E	●	●	●
Heating system (integrated in the dashboard)	* H11A	●	●	●
Seat mounted multifunction levers (only with 3 or 4 valves)	* E45B	●	●	●
Left hand shift lever	* E11A	●	●	●
D2 pedal	* E43A	●	●	●
Fully adjustable fabric ORS seat	* G41I	●	●	●
Fire extinguisher (only for trucks without cabin or panels)	* R32A	●	●	●
Name plate	1) S31/S34	●	●	●

Model	Option code	8FBMHT60	8FBMHT70	8FBMHT85
<b>WHEEL AND TYRES</b>				
Pneumatic tyres (front and rear)	2) *	●	●	●
PSC tyres (front and rear)	2) *	●	●	●
Non marking PSC tyres (front and rear)	2) *	●	●	●
Anti static PSC tyres (front and rear)	2) *	●	●	●
Cushion tyres (front and rear)	2) *	●	●	●
Non marking Cushion tyres (front and rear)	2) *	●	●	●

1) Available for English, Spanish, German, French, Dutch, Danish, Portuguese, Italian, Greek, Swedish, Norwegian, Finnish, Hungarian, Czech, Polish, Slovak, Estonian, Latvian and Turkish.

2) 8FBMHT70-85 are only available with dual tyres; 8FBMHT60 is available with single and dual tyres.

\* Please see the matching options chart

## Fork availability

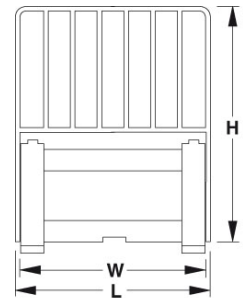
Unit: mm

Model	Length	Width	Thickness	Long forks
8FBMHT60, 70	1200	200	60	○
	1400	200	60	●
	1600	200	60	●
	1800	200	60	●
	2000	200	60	●
8FBMHT85	1200	200	70	○
	1400	200	70	●
	1600	200	70	●
	1800	200	70	●
	2000	200	70	●

## Forkbar and backrest availability

Unit: mm

Model	H	L W	1730	1830	1930	2030	2130	2230
			1700	1800	1900	2000	2100	2200
8FBMHT60, 70, 85	1500		○	●	●	●	●	●



L: Outside width of load backrest  
W: Length of forkbar  
H: Height of load backrest

## Mast interchangeability

Model	Mast		
	V	FV	FSV
8FBMHT60, 70, 85	—	—	—

— = No interchangeability within the group.

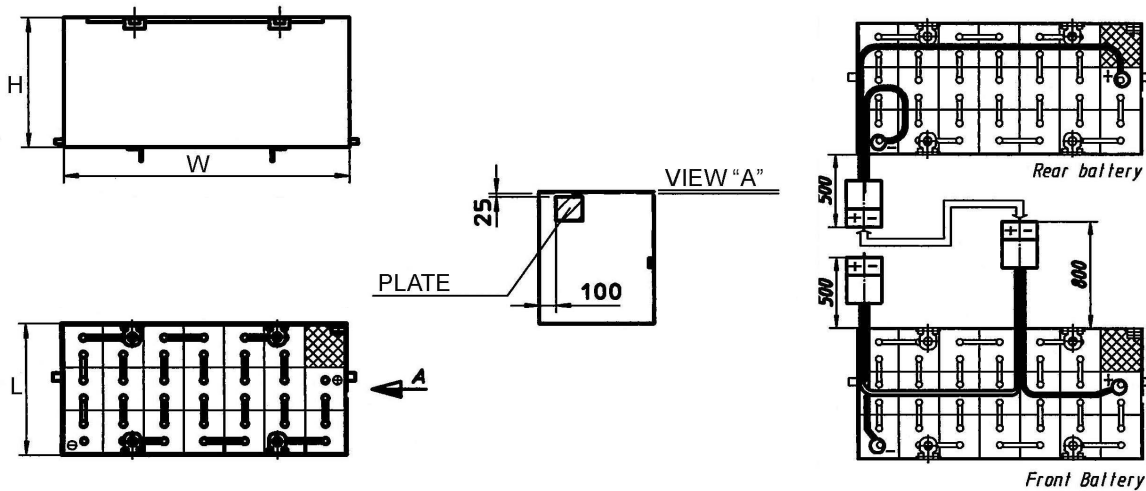
## Mast dimensions

Model	Load Distance (Centerline of front axle to front face of forks)		
	Mast		
	V	FW	FSW
8FBMHT60	595	595	595
8FBMHT70	620	620	620
8FBMHT85	640	640	640

### Battery availability

Model	Voltage	Capacity [AH/5HR]	Battery case dimensions, mm			Toyota min. required batt. weight
			Width	Length	Height	kg
8FBMHT60, 70	80	640	1370	650	455	1150
		720			455	1150
		800			455	1150
		1050			566	1350
		1250			626	1350
8FBMHT85	80	1050	1370	650	566	1350
		1250			626	1350

Battery brands available from the factory are Enersys/Hawker, Exide, Midac and Hoppecke.  
Cables and plug included. Anderson 320A connector.



For more detailed battery drawings, please contact TMHE Product Department.

### Tyre availability

Tyre spec	Pneumatic Shaped Cushion Tyre								
	FRONT						REAR		
	Single	Dual	Non-marking		Anti-static		Single	Non-marking	Anti-static
Tyre size	355/65-15	8.25-15	355/65-15	8.25-15	355/65-15	8.25-15	250-15	250-16	250-16
Rim spec	side ring	side ring	side ring	side ring	side ring	side ring	side ring	side ring	side ring
Rim size	9.75-15	6.50-15	9.75-15	6.50-15	9.75-15	6.50-15	7.0-15	7.0-16	7.0-16
Overall width (mm)	1750	1972	1750	1972	1750	1972	—	—	—
Tread, Front (mm)	1450	1472	1450	1472	1450	1472	—	—	—
Brand	Marangoni	Marangoni	Marangoni	Marangoni	Marangoni	Marangoni	Marangoni	Marangoni	Marangoni
8FBMHT60	○	●	●	●	●	●	○	●	●
8FBMHT70	○	○	○	●	○	●	○	●	●
8FBMHT85	○	○	○	●	○	●	○	●	●

Tyre spec	Cushion Tyre						Pneumatic Tyre		
	FRONT				REAR		FRONT		REAR
	Single	Dual	Non-marking		Single	Non-marking	Single	Dual	Single
Tyre size	713x360-560	713x254x560	713x360-560	713x254x560	660x254x508		355/65-15	8.25-15	250-15
Rim spec	—	—	—	—	—		side ring	side ring	side ring
Rim size	—	—	—	—	—		9.75-15	6.50-15	7.0-15
Overall width (mm)	1750	1972	1750	1972	—		1790	1972	—
Tread, Front (mm)	1375	1450	1375	1450	—		1450	1472	—
Brand	Marangoni	Marangoni	Marangoni	Marangoni	Marangoni	Marangoni	Continental	Continental	Continental
8FBMHT60	●	●	●	●	●	●	●	●	●
8FBMHT70	○	●	○	●	○	●	○	●	●
8FBMHT85	○	●	○	●	○	●	○	●	●

