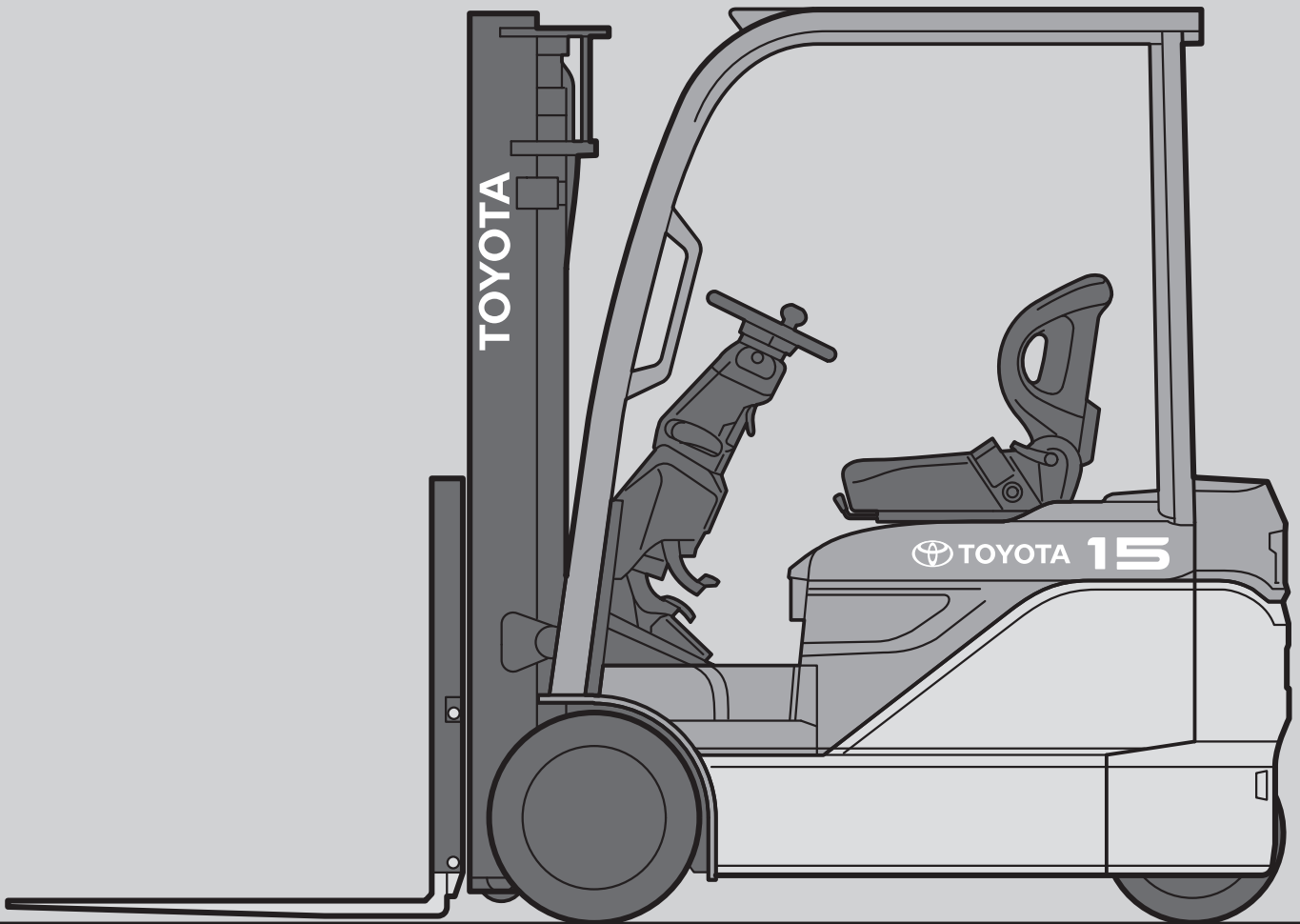


# ELECTRIC POWERED FORKLIFT

## 8FBE 1.0 to 2.0 Ton Series



# 1,000 kg

## MAIN VEHICLE SPECIFICATIONS

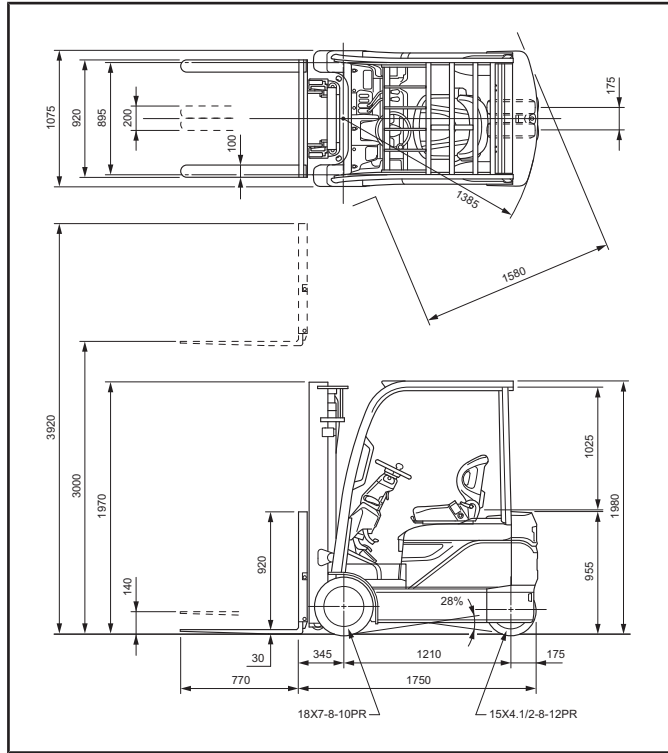
1	Manufacturer			TOYOTA	1	
2	Model			<b>8FBE10</b>	2	
3	Load Capacity	kg		1000	3	
4	Load Center	mm		500	4	
5	Power Type			Battery	5	
6	Operator Position			Rider Seated	6	
7	Tire Type	Front/Rear		Pneumatic	7	
8	Wheels (x = driven)	Front/Rear		2x/2	8	
9	Maximum Fork Height (MFH)	mm		3000	9	
10	Free Lift	mm		140	10	
13	Fork Size	T x W x L	mm	30x100x770	13	
	Fork Spread (Outside)	MAX./MIN.	mm	920/200		
14	Tilt Range	FWD/BWD	deg	5/6.5	14	
15	Length to Fork Face		mm	1750	15	
16	Overall Width		mm	1075	16	
17	Mast Lowered Height		mm	1970	17	
18	Mast Extended Height		mm	3920	18	
19	Overhead Guard Height		mm	1980	19	
21	Turning Radius (Outside)		mm	1385	21	
22	Load Distance (Centerline of front axle to front face of forks)		mm	345	22	
	Rear Overhang		mm	175		
23	Basic Right Angle Stacking Aisle Width (Add load length and clearance)		mm	1730	23	
	Intersecting Aisle Width		mm	1580		
24	Speeds *	Travel, Max. (FWD/RVS)	Full Load	km/h	15/15	24
No Load			km/h	16.5/16.5		
Lifting		Full Load	mm/sec	490	25	
		No Load	mm/sec	610		
26	Lowering	Full Load	mm/sec	530	26	
No Load		mm/sec	550			
27	Drawbar Pull *	Full Load/ No Load	3-Minute Ratings	N (kg)	9600/9100 (980/930)	27
5-Minute Ratings			N (kg)	9600/9100 (980/930)		
60-Minute Ratings			N (kg)	5300/5100 (540/520)		
29	Gradeability *	Full Load/ No Load	3-Minute Ratings	% (tanθ)	32/24	29
5-Minute Ratings			% (tanθ)	32/24		
30-Minute Ratings			% (tanθ)	24/24		
32	Total Weight	Without Battery	kg	1675	32	
33	Weight Distribution (With STD Battery)	Full Load	Front	kg	2855	33
Rear			kg	370		
No Load		Front	kg	1160	34	
		Rear	kg	1065		
35	Tires	Number	Front/Rear	2/2	35	
Front				18x7-8-10PR	36	
Size		Rear		15x4.1/2-8-12PR	37	
38	Wheelbase		mm	1210	38	
39	Tread	Front	mm	895	39	
Rear		mm	175			
	Backrest Height		mm	920		
	Overhead Guard Clearance		mm	1025		
	Counterweight Height		mm	955		
	Step Height/Floor Height		mm	430/545		
40	Underclearance	Mast (Full Load)	mm	75	40	
41		Center of Wheelbase (Full Load)	mm	80	41	
		Drive Axle (Full Load)	mm	90		
		Counterweight (No Load)	mm	85		
		Minimum Under Clearance (No Load)	mm	60 (Frame)		
	Grade Clearance	Frame	% (tanθ)	28		
42	Brake	Service (Foot)		Dry Disc	42	
Parking				Foot	43	
45	Battery	Voltage/Capacity (5-hour rating)	STD	V/AH	48/280	45
High		V/AH	48/370			
46	Weight (STD Capacity Type)		kg	550	46	
47	Electric Motors	Drive	kW	4.9x2	47	
48		Load Handling	kW	9.2	48	
Energy Consumption According to VDI Cycle **		kWh/h	3.2			
54	Control Type	Drive		Trasistor inverter	54	
Load Handling				Trasistor inverter		
57	Operating Pressure	For Attachments	Mpa (psi)	13.7 (2000)	57	

NOTE: \* Computed values.

\*\* 60 VDI Work Cycles/h with Tested Load of 1000 kg

## DIMENSIONAL DRAWINGS

Unit: mm

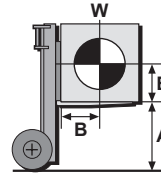


## UNDERCLEARANCE

Unit: mm

Mast (Full Load)	75
Center of Wheelbase (Full Load)	80
Drive Axle (Full Load)	90
Counterweight (No Load)	85
Minimum Under Clearance (No Load)	60 (Frame)

## RATED CAPACITIES



**A:** Max. Fork Height  
**B:** Load Center  
**C:** Capacity

### V, FV Mast (PSC or PN)

Unit: kg (W)

A (mm)	2500	2700	3000	3300	3500	3700	4000	4500	5000
PSC	500	1000	1000	1000	1000	1000	970	870	820
	600	890	890	890	890	890	870	780	730
	700	810	810	810	810	810	780	700	660
	800	740	740	740	740	740	720	640	610
	900	680	680	680	680	680	660	590	560
	1000	630	630	630	630	630	610	550	520
	1100	590	590	590	590	590	570	510	480
	1200	550	550	550	550	550	530	480	450
PN	500	1000	1000	1000	1000	1000	950	850	800
	600	890	890	890	890	890	850	760	720
	700	810	810	810	810	810	770	690	650
	800	740	740	740	740	740	700	630	590
	900	680	680	680	680	680	650	580	540
	1000	630	630	630	630	630	600	530	500
	1100	590	590	590	590	590	560	500	470
	1200	550	550	550	550	550	520	470	440

### FSV Mast (PSC or PN)

Unit: kg (W)

A (mm)	3700	4000	4300	4500	4700	5000	5500	6000
PSC	500	950	950	900	850	850	770	720
	600	850	850	810	760	760	690	650
	700	770	770	730	690	690	630	590
	800	710	710	670	630	630	570	540
	900	650	650	620	590	590	530	500
	1000	610	610	570	540	540	490	460
	1100	570	570	540	510	510	460	430
	1200	530	530	500	470	470	430	400
PN	500	950	950	900	850	850	750	700
	600	850	850	810	760	760	670	630
	700	770	770	730	690	690	610	570
	800	710	710	670	630	630	560	520
	900	650	650	620	590	590	520	480
	1000	610	610	570	540	540	480	450
	1100	570	570	540	510	510	450	420
	1200	530	530	500	470	470	420	390

## MAST SPECIFICATIONS & RATED CAPACITIES

Mast Type	Maximum Fork Height	Overall Height			Free Lift		Tilt Range		Load Capacity at 500 mm LC	
		Lowered	Extended		Without Load Backrest	With Standard Load Backrest	FWD	BWD	PSC	PN
			Without Load Backrest	With Standard Load Backrest						
	mm	mm	mm	mm	mm	mm	deg	deg	kg	kg
Wide Visible Mast (V)	2500	1720	3055*	3420	140	140	5	5	1000	1000
	2700	1820	3255*	3620	140	140	5	6.5	1000	1000
	3000	1970	3555*	3920	140	140	5	6.5	1000	1000
	3300	2120	3855*	4220	140	140	5	6.5	1000	1000
	3500	2220	4055*	4420	140	140	5	6.5	1000	1000
	3700	2380	4255*	4620	140	140	5	6.5	1000	1000
	4000	2570	4555*	4920	140	140	5	6.5	970	950
	4500	2820	5055*	5420	140	140	5	6.5	870	850
Wide Visible Full-Free Lift Two-Stage Mast (FV)	3000	1970	3580	3920	1420	1050	5	6.5	1000	1000
	3300	2120	3880	4220	1570	1200	5	6.5	1000	1000
	3500	2220	4080	4420	1670	1300	5	6.5	1000	1000
	3700	2380	4280	4620	1830	1460	5	6.5	1000	1000
Wide Visible Full-Free Lift Three-Stage Mast (FSV)	4000	2570	4580	4920	2020	1650	5	6.5	970	950
	3700	1770	4275	4620	1225	850	5	6.5	950	950
	4000	1870	4575	4920	1325	950	5	6.5	950	950
	4300	1970	4875	5220	1425	1050	5	6.5	900	900
	4500	2040	5075	5420	1495	1120	5	6.5	850	850
	4700	2120	5275	5620	1575	1200	5	6.5	850	850
	5000	2220	5575	5920	1675	1300	5	6.5	770	750
	5500	2380	6075	6420	1835	1460	5	6.5	720	700
6000	2570	6575	6920	2025	1650	5	6.5	520	500	

NOTE: Height of standard load backrest is 920 mm.  
\* with A4 piping, plus 85 mm.

# 1,250 kg

## MAIN VEHICLE SPECIFICATIONS

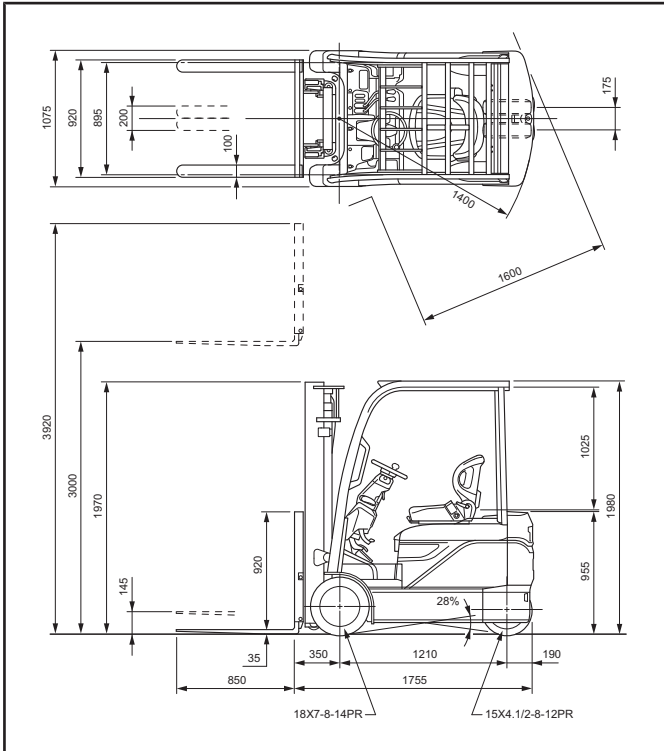
1	Manufacturer			TOYOTA	1	
2	Model			<b>8FBE13</b>	2	
3	Load Capacity	kg		1250	3	
4	Load Center	mm		500	4	
5	Power Type			Battery	5	
6	Operator Position			Rider Seated	6	
7	Tire Type	Front/Rear		Pneumatic	7	
8	Wheels (x = driven)	Front/Rear		2x/2	8	
9	Maximum Fork Height (MFH)	mm		3000	9	
10	Free Lift	mm		145	10	
13	Fork Size	T x W x L	mm	35x100x850	13	
	Fork Spread (Outside)	MAX./MIN.	mm	920/200		
14	Tilt Range	FWD/BWD	deg	5/6.5	14	
15	Length to Fork Face		mm	1755	15	
16	Overall Width		mm	1075	16	
17	Mast Lowered Height		mm	1970	17	
18	Mast Extended Height		mm	3920	18	
19	Overhead Guard Height		mm	1980	19	
21	Turning Radius (Outside)		mm	1400	21	
22	Load Distance (Centerline of front axle to front face of forks)		mm	350	22	
	Rear Overhang		mm	190		
23	Basic Right Angle Stacking Aisle Width (Add load length and clearance)		mm	1750	23	
	Intersecting Aisle Width		mm	1600		
24	Speeds *	Travel, Max. (FWD/RVS)	Full Load	km/h	15/15	24
No Load			km/h	16.5/16.5		
Lifting		Full Load	mm/sec	450	25	
		No Load	mm/sec	610		
26	Lowering	Full Load	mm/sec	530	26	
No Load		mm/sec	550			
27	Drawbar Pull *	Full Load/ No Load	3-Minute Ratings	N (kg)	9500/9100 (970/930)	27
5-Minute Ratings			N (kg)	9500/9100 (970/930)		
60-Minute Ratings			N (kg)	5200/5100 (530/520)		
29	Gradeability *	Full Load/ No Load	3-Minute Ratings	% (tanθ)	27/22	29
5-Minute Ratings			% (tanθ)	27/22		
30-Minute Ratings			% (tanθ)	20/22		
32	Total Weight	Without Battery	kg	1875	32	
33	Weight Distribution (With STD Battery)	Full Load	Front	kg	3280	33
			Rear	kg	395	
34		No Load	Front	kg	1150	34
			Rear	kg	1275	
35		Number	Front/Rear		2/2	35
36	Tires	Size	Front		18x7-8-14PR	36
37			Rear		15x4. 1/2-8-12PR	37
38	Wheelbase		mm	1210	38	
39	Tread		Front	mm	895	39
			Rear	mm	175	
	Backrest Height		mm	920		
	Overhead Guard Clearance		mm	1025		
	Counterweight Height		mm	955		
	Step Height/Floor Height		mm	430/545		
40	Underclearance	Mast (Full Load)	mm	75	40	
41		Center of Wheelbase (Full Load)	mm	80	41	
		Drive Axle (Full Load)	mm	90		
		Counterweight (No Load)	mm	85		
		Minimum Under Clearance (No Load)	mm	60 (Frame)		
	Grade Clearance	Frame	% (tanθ)	28		
42	Brake	Service (Foot)		Dry Disc	42	
43		Parking		Foot	43	
45	Battery	Voltage/Capacity (5-hour rating)	STD	V/AH	48/280	45
46		High	V/AH	48/370		
47		Weight (STD Capacity Type)	kg	550	46	
48	Electric Motors	Drive	kW	4.9x2	47	
		Load Handling	kW	9.2	48	
		Energy Consumption According to VDI Cycle **	kWh/h	3.3		
54	Control Type	Drive		Trasistor inverter	54	
		Load Handling		Trasistor inverter		
57	Operating Pressure	For Attachments	Mpa (psi)	13.7 (2000)	57	

NOTE: \* Computed values.

\*\* 60 VDI Work Cycles/h with Tested Load of 1250 kg

## DIMENSIONAL DRAWINGS

Unit: mm

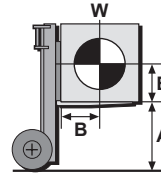


## UNDERCLEARANCE

Unit: mm

Mast (Full Load)	75
Center of Wheelbase (Full Load)	80
Drive Axle (Full Load)	90
Counterweight (No Load)	85
Minimum Under Clearance (No Load)	60 (Frame)

## RATED CAPACITIES



**A:** Max. Fork Height  
**B:** Load Center  
**C:** Capacity

### V, FV Mast (PSC or PN)

Unit: kg (W)

A (mm)		2500	2700	3000	3300	3500	3700	4000	4500	5000	
B (mm)	PSC	500	1250	1250	1250	1250	1250	1250	1220	1120	970
		600	1120	1120	1120	1120	1120	1120	1090	1000	870
		700	1010	1010	1010	1010	1010	1010	990	910	790
		800	920	920	920	920	920	920	900	830	720
		900	850	850	850	850	850	850	830	760	660
		1000	790	790	790	790	790	790	770	710	610
	PN	1100	730	730	730	730	730	730	720	660	570
		1200	690	690	690	690	690	690	670	610	530
		500	1250	1250	1250	1250	1250	1250	1200	1100	950
		600	1120	1120	1120	1120	1120	1120	1070	980	850
		700	1010	1010	1010	1010	1010	1010	970	890	770
		800	920	920	920	920	920	920	890	810	700
PN	900	850	850	850	850	850	850	820	750	650	
	1000	790	790	790	790	790	790	760	690	600	
	1100	730	730	730	730	730	730	700	650	560	
	1200	690	690	690	690	690	690	660	600	520	

### FSV Mast (PSC or PN)

Unit: kg (W)

A (mm)		3700	4000	4300	4500	4700	5000	5500	6000	
B (mm)	PSC	500	1150	1150	1100	1000	1000	920	820	620
		600	1030	1030	990	900	900	830	740	560
		700	940	940	900	820	820	750	670	510
		800	860	860	820	750	750	690	610	460
		900	790	790	760	690	690	630	570	430
		1000	740	740	700	640	640	590	520	400
	PN	1100	690	690	660	600	600	550	490	370
		1200	640	640	620	560	560	510	460	350
		500	1150	1150	1100	1000	1000	900	800	600
		600	1030	1030	990	900	900	810	720	540
		700	940	940	900	820	820	730	650	490
		800	860	860	820	750	750	670	600	450
PN	900	790	790	760	690	690	620	550	410	
	1000	740	740	700	640	640	580	510	380	
	1100	690	690	660	600	600	540	480	360	
	1200	640	640	620	560	560	500	450	340	

## MAST SPECIFICATIONS & RATED CAPACITIES

Mast Type	Maximum Fork Height	Overall Height			Free Lift		Tilt Range		Load Capacity at 500 mm LC	
		Lowered	Extended		Without Load Backrest	With Standard Load Backrest	FWD	BWD	PSC	PN
			Without Load Backrest	With Standard Load Backrest						
	mm	mm	mm	mm	mm	mm	deg	deg	kg	kg
Wide Visible Mast (V)	2500	1720	3055*	3420	145	145	5	5	1250	1250
	2700	1820	3255*	3620	145	145	5	6.5	1250	1250
	3000	1970	3555*	3920	145	145	5	6.5	1250	1250
	3300	2120	3855*	4220	145	145	5	6.5	1250	1250
	3500	2220	4055*	4420	145	145	5	6.5	1250	1250
	3700	2380	4255*	4620	145	145	5	6.5	1250	1250
	4000	2570	4555*	4920	145	145	5	6.5	1220	1200
	4500	2820	5055*	5420	145	145	5	6.5	1120	1100
Wide Visible Full-Free Lift Two-Stage Mast (FV)	5000	3070	5555*	5920	145	145	5	6.5	970	950
	3000	1970	3600	3920	1405	1055	5	6.5	1250	1250
	3300	2120	3900	4220	1555	1205	5	6.5	1250	1250
	3500	2220	4100	4420	1655	1305	5	6.5	1250	1250
	3700	2380	4300	4620	1815	1465	5	6.5	1250	1250
Wide Visible Full-Free Lift Three-Stage Mast (FSV)	4000	2570	4600	4920	2005	1655	5	6.5	1220	1200
	3700	1770	4275	4620	1225	855	5	6.5	1150	1150
	4000	1870	4575	4920	1325	955	5	6.5	1150	1150
	4300	1970	4875	5220	1425	1055	5	6.5	1100	1100
	4500	2040	5075	5420	1495	1125	5	6.5	1000	1000
	4700	2120	5275	5620	1575	1205	5	6.5	1000	1000
	5000	2220	5575	5920	1675	1305	5	6.5	920	900
	5500	2380	6075	6420	1835	1465	5	6.5	820	800
6000	2570	6575	6920	2025	1655	5	6.5	620	600	

NOTE: Height of standard load backrest is 920 mm.  
 \* with A4 piping, plus 85 mm.

# 1,500 kg

## MAIN VEHICLE SPECIFICATIONS

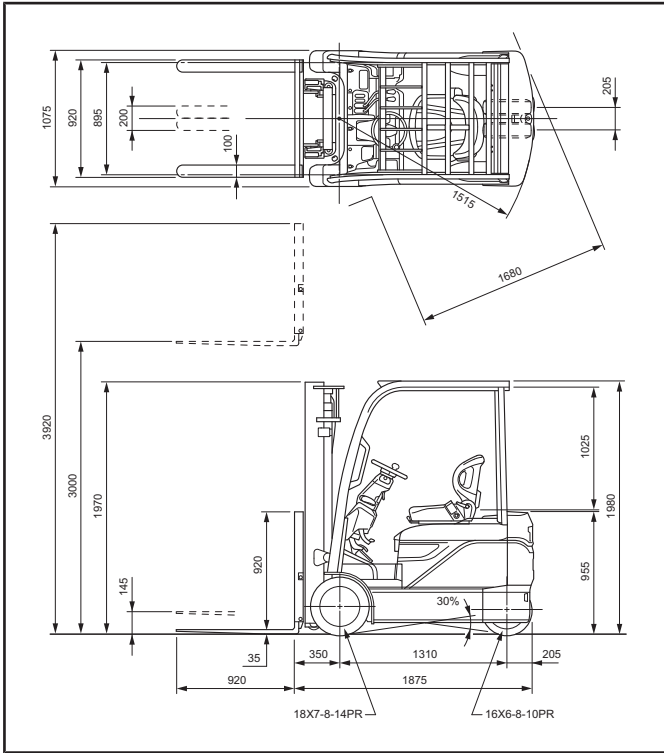
1	Manufacturer			TOYOTA	1	
2	Model			<b>8FBE15</b>	2	
3	Load Capacity	kg		1500	3	
4	Load Center	mm		500	4	
5	Power Type			Battery	5	
6	Operator Position			Rider Seated	6	
7	Tire Type	Front/Rear		Pneumatic	7	
8	Wheels (x = driven)	Front/Rear		2x/2	8	
9	Maximum Fork Height (MFH)	mm		3000	9	
10	Free Lift	mm		145	10	
13	Fork Size	T x W x L	mm	35x100x920	13	
	Fork Spread (Outside)	MAX./MIN.	mm	920/200		
14	Tilt Range	FWD/BWD	deg	5/6.5	14	
15	Length to Fork Face		mm	1875	15	
16	Overall Width		mm	1075	16	
17	Mast Lowered Height		mm	1970	17	
18	Mast Extended Height		mm	3920	18	
19	Overhead Guard Height		mm	1980	19	
21	Turning Radius (Outside)		mm	1515	21	
22	Load Distance (Centerline of front axle to front face of forks)		mm	350	22	
	Rear Overhang		mm	205		
23	Basic Right Angle Stacking Aisle Width (Add load length and clearance)		mm	1865	23	
	Intersecting Aisle Width		mm	1680		
24	Speeds *	Travel, Max. (FWD/RVS)	Full Load	km/h	15/15	24
			No Load	km/h	16.5/16.5	
25		Lifting	Full Load	mm/sec	430	25
			No Load	mm/sec	610	
26	Lowering	Full Load	mm/sec	530	26	
		No Load	mm/sec	550		
27	Drawbar Pull *	Full Load/ No Load	3-Minute Ratings	N (kg)	9400/9000 (960/920)	27
			5-Minute Ratings	N (kg)	9400/9000 (960/920)	
			60-Minute Ratings	N (kg)	5100/5000 (520/510)	
29	Gradeability *	Full Load/ No Load	3-Minute Ratings	% (tanθ)	24/21	29
			5-Minute Ratings	% (tanθ)	24/21	
			30-Minute Ratings	% (tanθ)	18/21	
32	Total Weight	Without Battery	kg	2005	32	
33	Weight Distribution (With STD Battery)	Full Load	Front	kg	3680	33
			Rear	kg	505	
34		No Load	Front	kg	1210	34
			Rear	kg	1475	
35		Number	Front/Rear		2/2	35
36	Tires	Size	Front		18x7-8-14PR	36
37			Rear		16x6-8-10PR	37
38	Wheelbase		mm	1310	38	
39	Tread		Front	mm	895	39
			Rear	mm	205	
	Backrest Height		mm	920		
	Overhead Guard Clearance		mm	1025		
	Counterweight Height		mm	955		
	Step Height/Floor Height		mm	430/545		
40	Underclearance	Mast (Full Load)	mm	75	40	
41		Center of Wheelbase (Full Load)	mm	80	41	
		Drive Axle (Full Load)	mm	90		
		Counterweight (No Load)	mm	85		
		Minimum Under Clearance (No Load)	mm	60 (Frame)		
	Grade Clearance	Frame	% (tanθ)	30		
42	Brake	Service (Foot)		Dry Disc	42	
43		Parking		Foot	43	
45	Battery	Voltage/Capacity (5-hour rating)	STD	V/AH	48/390	45
46			High	V/AH	48/565	
47		Weight (STD Capacity Type)	kg	680	46	
48	Electric Motors	Drive	kW	4.9x2	47	
		Load Handling	kW	9.2	48	
		Energy Consumption According to VDI Cycle **	kWh/h	3.5		
54	Control Type	Drive		Transistor inverter	54	
		Load Handling		Transistor inverter		
57	Operating Pressure	For Attachments	Mpa (psi)	13.7 (2000)	57	

NOTE: \* Computed values.

\*\* 60 VDI Work Cycles/h with Tested Load of 1500 kg

## DIMENSIONAL DRAWINGS

Unit: mm

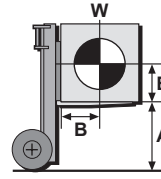


## UNDERCLEARANCE

Unit: mm

Mast (Full Load)	75
Center of Wheelbase (Full Load)	80
Drive Axle (Full Load)	90
Counterweight (No Load)	85
Minimum Under Clearance (No Load)	60 (Frame)

## RATED CAPACITIES



A: Max. Fork Height  
B: Load Center  
C: Capacity

### V, FV Mast (PSC or PN)

Unit: kg (W)

A (mm)	2500	2700	3000	3300	3500	3700	4000	4500	5000
PSC	500	1500	1500	1500	1500	1500	1500	1370	1270
	600	1340	1340	1340	1340	1340	1340	1230	1140
	700	1210	1210	1210	1210	1210	1210	1210	1030
	800	1110	1110	1110	1110	1110	1110	1010	940
	900	1020	1020	1020	1020	1020	1020	930	860
	1000	940	940	940	940	940	940	860	800
	1100	880	880	880	880	880	880	800	740
	1200	820	820	820	820	820	820	750	700
PN	500	1500	1500	1500	1500	1500	1500	1350	1250
	600	1340	1340	1340	1340	1340	1340	1210	1120
	700	1210	1210	1210	1210	1210	1210	1090	1010
	800	1110	1110	1110	1110	1110	1110	1000	920
	900	1020	1020	1020	1020	1020	1020	920	850
	1000	940	940	940	940	940	940	850	790
	1100	880	880	880	880	880	880	790	730
	1200	820	820	820	820	820	820	740	690

### FSV Mast (PSC or PN)

Unit: kg (W)

A (mm)	3700	4000	4300	4500	4700	5000	5500	6000
PSC	500	1500	1400	1400	1350	1350	1220	920
	600	1350	1260	1260	1210	1210	1100	830
	700	1220	1140	1140	1100	1100	1000	750
	800	1120	1050	1050	1010	1010	910	690
	900	1030	970	970	930	930	840	630
	1000	960	900	900	860	860	780	590
	1100	900	840	840	810	810	730	550
	1200	840	780	780	760	760	680	510
PN	500	1500	1400	1400	1350	1350	1200	900
	600	1350	1260	1260	1210	1210	1080	810
	700	1220	1140	1140	1100	1100	980	730
	800	1120	1050	1050	1010	1010	900	670
	900	1030	970	970	930	930	830	620
	1000	960	900	900	860	860	770	580
	1100	900	840	840	810	810	720	540
	1200	840	780	780	760	760	670	500

## MAST SPECIFICATIONS & RATED CAPACITIES

Mast Type	Maximum Fork Height	Overall Height			Free Lift		Tilt Range		Load Capacity at 500 mm LC	
		Lowered	Extended		Without Load Backrest	With Standard Load Backrest	FWD	BWD	PSC	PN
			Without Load Backrest	With Standard Load Backrest						
Wide Visible Mast (V)	2500	1720	3055*	3420	145	145	5	5	1500	1500
	2700	1820	3255*	3620	145	145	5	6.5	1500	1500
	3000	1970	3555*	3920	145	145	5	6.5	1500	1500
	3300	2120	3855*	4220	145	145	5	6.5	1500	1500
	3500	2220	4055*	4420	145	145	5	6.5	1500	1500
	3700	2380	4255*	4620	145	145	5	6.5	1500	1500
	4000	2570	4555*	4920	145	145	5	6.5	1500	1500
	4500	2820	5055*	5420	145	145	5	6.5	1370	1350
Wide Visible Full-Free Lift Two-Stage Mast (FV)	3000	1970	3600	3920	1405	1055	5	6.5	1500	1500
	3300	2120	3900	4220	1555	1205	5	6.5	1500	1500
	3500	2220	4100	4420	1655	1305	5	6.5	1500	1500
	3700	2380	4300	4620	1815	1465	5	6.5	1500	1500
	4000	2570	4600	4920	2005	1655	5	6.5	1500	1500
Wide Visible Full-Free Lift Three-Stage Mast (FSV)	3700	1770	4275	4620	1225	855	5	6.5	1500	1500
	4000	1870	4575	4920	1325	955	5	6.5	1400	1400
	4300	1970	4875	5220	1425	1055	5	6.5	1400	1400
	4500	2040	5075	5420	1495	1125	5	6.5	1350	1350
	4700	2120	5275	5620	1575	1205	5	6.5	1350	1350
	5000	2220	5575	5920	1675	1305	5	6.5	1220	1200
	5500	2380	6075	6420	1835	1465	5	6.5	920	900
6000	2570	6575	6920	2025	1655	5	6.5	720	700	

NOTE: Height of standard load backrest is 920 mm.  
\* with A4 piping, plus 85 mm.

# 1,750 kg

## MAIN VEHICLE SPECIFICATIONS

1	Manufacturer			TOYOTA	1	
2	Model			<b>8FBE18</b>	2	
3	Load Capacity	kg		1750	3	
4	Load Center	mm		500	4	
5	Power Type			Battery	5	
6	Operator Position			Rider Seated	6	
7	Tire Type	Front/Rear		Pneumatic	7	
8	Wheels (x = driven)	Front/Rear		2x/2	8	
9	Maximum Fork Height (MFH)		mm	3000	9	
10	Free Lift		mm	145	10	
13	Fork Size	T x W x L	mm	35x100x920	13	
	Fork Spread (Outside)	MAX./MIN.	mm	920/200		
14	Tilt Range	FWD/BWD	deg	5/6.5	14	
15	Length to Fork Face		mm	1905	15	
16	Overall Width		mm	1075	16	
17	Mast Lowered Height		mm	1970	17	
18	Mast Extended Height		mm	3920	18	
19	Overhead Guard Height		mm	1980	19	
21	Turning Radius (Outside)		mm	1550	21	
22	Load Distance (Centerline of front axle to front face of forks)		mm	350	22	
	Rear Overhang		mm	240		
23	Basic Right Angle Stacking Aisle Width (Add load length and clearance)		mm	1900	23	
	Intersecting Aisle Width		mm	1695		
24	Speeds *	Travel, Max. (FWD/RVS)	Full Load	km/h	14.5/14.5	24
No Load			km/h	16/16		
Lifting		Full Load	mm/sec	390	25	
		No Load	mm/sec	610		
26	Lowering	Full Load	mm/sec	530	26	
No Load		mm/sec	550			
27	Drawbar Pull *	Full Load/ No Load	3-Minute Ratings	N (kg)	9400/9000 (960/920)	27
5-Minute Ratings			N (kg)	9400/9000 (960/920)		
60-Minute Ratings			N (kg)	5000/5000 (510/510)		
29	Gradeability *	Full Load/ No Load	3-Minute Ratings	% (tanθ)	21/20	29
5-Minute Ratings			% (tanθ)	21/20		
30-Minute Ratings			% (tanθ)	16/20		
32	Total Weight	Without Battery	kg	2190	32	
33	Weight Distribution (With STD Battery)	Full Load	Front	kg	4100	33
Rear			kg	520		
No Load		Front	kg	1215	34	
		Rear	kg	1655		
35		Number	Front/Rear		2/2	35
36	Tires		Front		18x7-8-16PR	36
37		Size	Rear		16x6-8-10PR	37
38	Wheelbase		mm	1310	38	
39	Tread	Front	mm	895	39	
		Rear	mm	205		
	Backrest Height		mm	920		
	Overhead Guard Clearance		mm	1025		
	Counterweight Height		mm	955		
	Step Height/Floor Height		mm	430/545		
40	Underclearance	Mast (Full Load)	mm	75	40	
41		Center of Wheelbase (Full Load)	mm	80	41	
		Drive Axle (Full Load)	mm	90		
		Counterweight (No Load)	mm	85		
		Minimum Under Clearance (No Load)	mm	60 (Frame)		
	Grade Clearance	Frame	% (tanθ)	30		
42	Brake	Service (Foot)		Dry Disc	42	
43		Parking		Foot	43	
45	Battery	Voltage/Capacity (5-hour rating)	STD	V/AH	48/390	45
46			High	V/AH	48/565	
47		Weight (STD Capacity Type)	kg	680	46	
48	Electric Motors	Drive	kW	4.9x2	47	
		Load Handling	kW	9.2	48	
		Energy Consumption According to VDI Cycle **	kWh/h	3.8		
54	Control Type	Drive		Transistor inverter	54	
		Load Handling		Transistor inverter		
57	Operating Pressure	For Attachments	Mpa (psi)	13.7 (2000)	57	

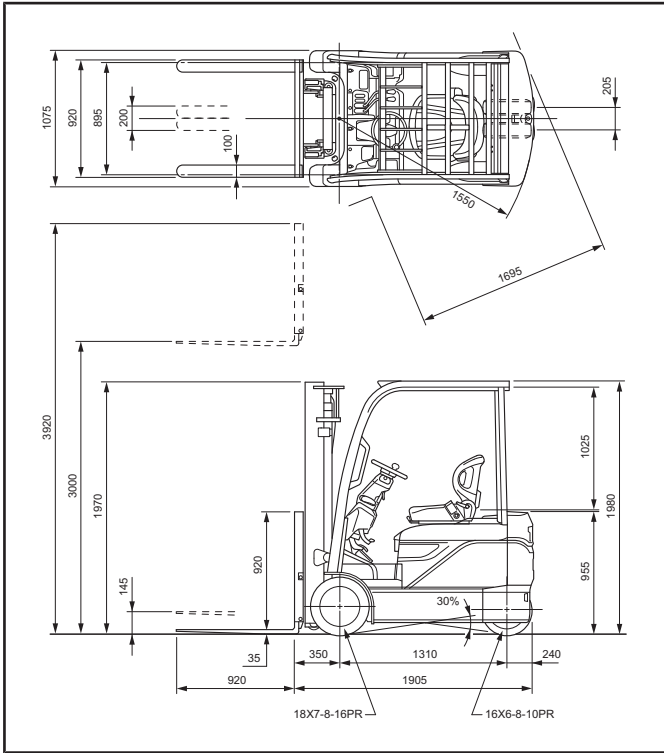
NOTE: \* Computed values.

\*\* 60 VDI Work Cycles/h with Tested Load of 1750 kg



## DIMENSIONAL DRAWINGS

Unit: mm

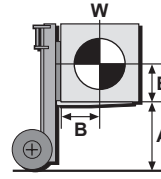


## UNDERCLEARANCE

Unit: mm

Mast (Full Load)	75
Center of Wheelbase (Full Load)	80
Drive Axle (Full Load)	90
Counterweight (No Load)	85
Minimum Under Clearance (No Load)	60 (Frame)

## RATED CAPACITIES



**A:** Max. Fork Height  
**B:** Load Center  
**C:** Capacity

### V, FV Mast (PSC or PN)

Unit: kg (W)

A (mm)	2500	2700	3000	3300	3500	3700	4000	4500	5000
PSC	500	1750	1750	1750	1750	1750	1750	1720	1570
	600	1570	1570	1570	1570	1570	1570	1540	1400
	700	1420	1420	1420	1420	1420	1420	1390	1270
	800	1290	1290	1290	1290	1290	1290	1270	1160
	900	1190	1190	1190	1190	1190	1190	1170	1070
	1000	1100	1100	1100	1100	1100	1100	1080	990
	1100	1030	1030	1030	1030	1030	1030	1010	920
	1200	960	960	960	960	960	960	940	860
PN	500	1750	1750	1750	1750	1750	1750	1700	1550
	600	1570	1570	1570	1570	1570	1570	1520	1390
	700	1420	1420	1420	1420	1420	1420	1380	1260
	800	1290	1290	1290	1290	1290	1290	1260	1150
	900	1190	1190	1190	1190	1190	1190	1160	1050
	1000	1100	1100	1100	1100	1100	1100	1070	980
	1100	1030	1030	1030	1030	1030	1030	1000	910
	1200	960	960	960	960	960	960	930	850

### FSV Mast (PSC or PN)

Unit: kg (W)

A (mm)	3700	4000	4300	4500	4700	5000	5500	6000
PSC	500	1600	1600	1550	1400	1400	1320	970
	600	1440	1440	1390	1260	1260	1190	870
	700	1310	1310	1270	1140	1140	1080	790
	800	1200	1200	1160	1050	1050	990	730
	900	1100	1100	1070	970	970	910	670
	1000	1020	1020	990	900	900	840	620
	1100	960	960	930	840	840	790	580
	1200	900	900	870	780	780	740	540
PN	500	1600	1600	1550	1400	1400	1300	950
	600	1440	1440	1390	1260	1260	1170	850
	700	1310	1310	1270	1140	1140	1060	780
	800	1200	1200	1160	1050	1050	970	710
	900	1100	1100	1070	970	970	900	660
	1000	1020	1020	990	900	900	830	610
	1100	960	960	930	840	840	780	570
	1200	900	900	870	780	780	730	530

## MAST SPECIFICATIONS & RATED CAPACITIES

Mast Type	Maximum Fork Height	Overall Height			Free Lift		Tilt Range		Load Capacity at 500 mm LC	
		Lowered	Extended		Without Load Backrest	With Standard Load Backrest	FWD	BWD	PSC	PN
			Without Load Backrest	With Standard Load Backrest						
	mm	mm	mm	mm	mm	mm	deg	deg	kg	kg
Wide Visible Mast (V)	2500	1720	3160*	3420	145	145	5	5	1750	1750
	2700	1820	3360*	3620	145	145	5	6.5	1750	1750
	3000	1970	3660*	3920	145	145	5	6.5	1750	1750
	3300	2120	3960*	4220	145	145	5	6.5	1750	1750
	3500	2220	4160*	4420	145	145	5	6.5	1750	1750
	3700	2380	4360*	4620	145	145	5	6.5	1750	1750
	4000	2570	4660*	4920	145	145	5	6.5	1720	1700
	4500	2820	5160*	5420	145	145	5	6.5	1570	1550
Wide Visible Full-Free Lift Two-Stage Mast (FV)	3000	1970	3600	3920	1405	1055	5	6.5	1750	1750
	3300	2120	3900	4220	1555	1205	5	6.5	1750	1750
	3500	2220	4100	4420	1655	1305	5	6.5	1750	1750
	3700	2380	4300	4620	1815	1465	5	6.5	1750	1750
	4000	2570	4600	4920	2005	1655	5	6.5	1720	1700
Wide Visible Full-Free Lift Three-Stage Mast (FSV)	3700	1770	4275	4620	1225	855	5	6.5	1600	1600
	4000	1870	4575	4920	1325	955	5	6.5	1600	1600
	4300	1970	4875	5220	1425	1055	5	6.5	1550	1550
	4500	2040	5075	5420	1495	1125	5	6.5	1400	1400
	4700	2120	5275	5620	1575	1205	5	6.5	1400	1400
	5000	2220	5575	5920	1675	1305	5	6.5	1320	1300
	5500	2380	6075	6420	1835	1465	5	6.5	970	950
6000	2570	6575	6920	2025	1655	5	6.5	770	750	

NOTE: Height of standard load backrest is 920 mm.  
 \* with A4 piping, minus 20 mm.

# 2,000 kg

## MAIN VEHICLE SPECIFICATIONS

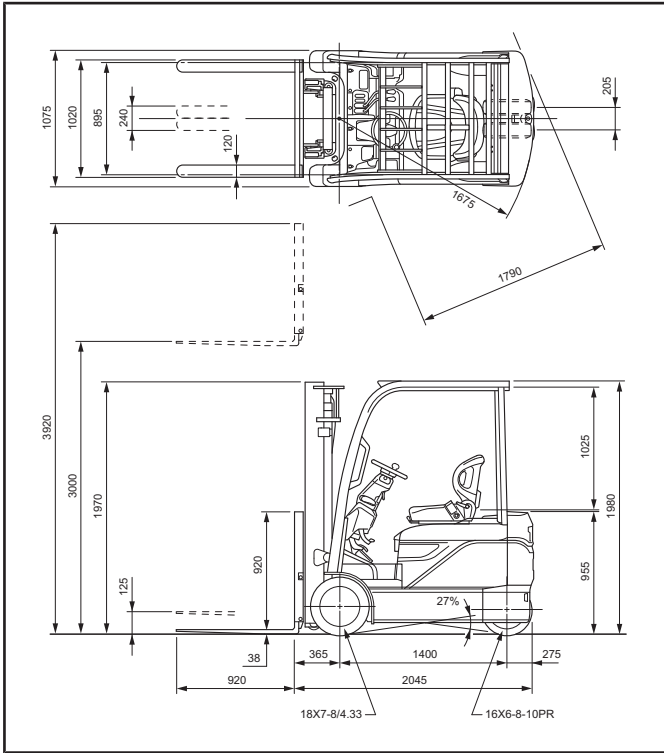
1	Manufacturer			TOYOTA	1	
2	Model			<b>8FBE20</b>	2	
3	Load Capacity	kg		2000	3	
4	Load Center	mm		500	4	
5	Power Type			Battery	5	
6	Operator Position			Rider Seated	6	
7	Tire Type	Front/Rear		Pneumatic	7	
8	Wheels (x = driven)	Front/Rear		2x/2	8	
9	Maximum Fork Height (MFH)	mm		3000	9	
10	Free Lift	mm		125	10	
13	Fork Size	T x W x L	mm	38x120x920	13	
	Fork Spread (Outside)	MAX./MIN.	mm	1020/240		
14	Tilt Range	FWD/BWD	deg	5/6.5	14	
15	Length to Fork Face	mm		2045	15	
16	Overall Width	mm		1075	16	
17	Mast Lowered Height	mm		1970	17	
18	Mast Extended Height	mm		3920	18	
19	Overhead Guard Height	mm		1980	19	
21	Turning Radius (Outside)	mm		1675	21	
22	Load Distance (Centerline of front axle to front face of forks)	mm		365	22	
	Rear Overhang	mm		275		
23	Basic Right Angle Stacking Aisle Width (Add load length and clearance)	mm		2040	23	
	Intersecting Aisle Width	mm		1790		
24	Speeds *	Travel, Max. (FWD/RVS)	Full Load	km/h	14/14	24
			No Load	km/h	15.5/15.5	
25	Speeds *	Lifting	Full Load	mm/sec	340	25
			No Load	mm/sec	500	
26	Speeds *	Lowering	Full Load	mm/sec	500	26
			No Load	mm/sec	500	
27	Drawbar Pull *	Full Load/ No Load	3-Minute Ratings	N (kg)	9200/9200 (940/940)	27
			5-Minute Ratings	N (kg)	9200/9200 (940/940)	
			60-Minute Ratings	N (kg)	4800/5100 (490/520)	
29	Gradeability *	Full Load/ No Load	3-Minute Ratings	% (tanθ)	19/20	29
			5-Minute Ratings	% (tanθ)	19/20	
			30-Minute Ratings	% (tanθ)	14/20	
32	Total Weight	Without Battery	kg	2485	32	
33	Weight Distribution (With STD Battery)	Full Load	Front	kg	4565	33
			Rear	kg	610	
34	Weight Distribution (With STD Battery)	No Load	Front	kg	1325	34
			Rear	kg	1850	
35		Number	Front/Rear		2/2	35
36	Tires	Size	Front		18x7-8/4.33	36
37		Size	Rear		16x6-8-10PR	37
38	Wheelbase		mm	1400	38	
39	Tread		Front	mm	895	39
			Rear	mm	205	
	Backrest Height		mm	920		
	Overhead Guard Clearance		mm	1025		
	Counterweight Height		mm	955		
	Step Height/Floor Height		mm	430/545		
40	Underclearance	Mast (Full Load)	mm	75	40	
41		Center of Wheelbase (Full Load)	mm	80	41	
		Drive Axle (Full Load)	mm	90		
		Counterweight (No Load)	mm	85		
		Minimum Under Clearance (No Load)	mm	60 (Frame)		
	Grade Clearance	Frame	% (tanθ)	27		
42	Brake	Service (Foot)		Dry Disc	42	
43		Parking		Foot	43	
45	Battery	Voltage/Capacity (5-hour rating)	STD	V/AH	48/390	45
46		High	V/AH	48/645		
47		Weight (STD Capacity Type)	kg	690	46	
48	Electric Motors	Drive	kW	4.9x2	47	
		Load Handling	kW	9.2	48	
		Energy Consumption According to VDI Cycle **	kWh/h	4.0		
54	Control Type	Drive		Trasistor inverter	54	
		Load Handling		Trasistor inverter		
57	Operating Pressure	For Attachments	Mpa (psi)	13.7 (2000)	57	

NOTE: \* Computed values.

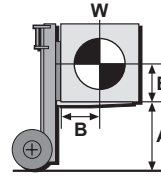
\*\* 60 VDI Work Cycles/h with Tested Load of 2000 kg

## DIMENSIONAL DRAWINGS

Unit: mm



## RATED CAPACITIES



**A:** Max. Fork Height  
**B:** Load Center  
**C:** Capacity

### V Mast (PSC)

Unit: kg (W)

A (mm)	2500	2700	3000	3300	3500	3700	4000	4500	5000
500	2000	2000	2000	2000	2000	2000	2000	1850	1600
600	1790	1790	1790	1790	1790	1790	1790	1660	1430
700	1630	1630	1630	1630	1630	1630	1630	1500	1300
800	1490	1490	1490	1490	1490	1490	1490	1370	1190
900	1370	1370	1370	1370	1370	1370	1370	1270	1090
1000	1270	1270	1270	1270	1270	1270	1270	1170	1010
1100	1180	1180	1180	1180	1180	1180	1180	1090	950
1200	1110	1110	1110	1110	1110	1110	1110	1020	890

### FSV Mast (PSC)

Unit: kg (W)

A (mm)	3700	4000	4300	4500	4700	5000	5500	6000
500	2000	1950	1850	1700	1700	1500	1250	900
600	1800	1760	1670	1530	1530	1350	1130	810
700	1640	1600	1520	1390	1390	1230	1020	740
800	1500	1460	1390	1280	1280	1130	940	680
900	1390	1350	1280	1180	1180	1040	870	620
1000	1290	1260	1190	1100	1100	970	810	580
1100	1200	1170	1110	1020	1020	900	750	540
1200	1130	1100	1040	960	960	850	700	510

## UNDERCLEARANCE

Mast (Full Load)	75
Center of Wheelbase (Full Load)	80
Drive Axle (Full Load)	90
Counterweight (No Load)	85
Minimum Under Clearance (No Load)	60 (Frame)

## MAST SPECIFICATIONS & RATED CAPACITIES

Mast Type	Maximum Fork Height	Overall Height			Free Lift		Tilt Range		Load Capacity at 500 mm LC
		Lowered	Extended		Without Load Backrest	With Standard Load Backrest	FWD	BWD	PSC
			Without Load Backrest	With Standard Load Backrest					
Wide Visible Mast (V)	mm	mm	mm	mm	mm	mm	deg	deg	kg
	2500	1720	3205	3420	125	125	5	5	2000
	2700	1820	3405	3620	125	125	5	6.5	2000
	3000	1970	3705	3920	125	125	5	6.5	2000
	3300	2120	4005	4220	125	125	5	6.5	2000
	3500	2220	4205	4420	125	125	5	6.5	2000
	3700	2380	4405	4620	125	125	5	6.5	2000
	4000	2570	4705	4920	125	125	5	6.5	2000
Wide Visible Full-Free Lift Three-Stage Mast (FSV)	4500	2820	5205	5420	125	125	5	6.5	1850
	5000	3070	5705	5920	125	125	5	6.5	1600
	3700	1770	4385	4620	1120	860	5	6.5	2000
	4000	1870	4685	4920	1220	960	5	6.5	1950
	4300	1970	4985	5220	1320	1060	5	6.5	1850
	4500	2040	5185	5420	1390	1130	5	6.5	1700
	4700	2120	5385	5620	1470	1210	5	6.5	1700
	5000	2220	5685	5920	1570	1310	5	6.5	1500
5500	2380	6185	6420	1730	1470	5	6.5	1250	
6000	2570	6685	6920	1920	1660	5	6.5	900	

NOTE: Height of standard load backrest is 920 mm.

# STANDARD EQUIPMENT

---

## 8FBE10.13.15.18.20

- Wide Visible Mast (V) [MFH: 3000 mm]
- Load backrest (V and FSV masts) [Height: 920 mm]
- Operator Presence Sensing System (OPS)
- Easy-down system (V mast)
- Display (Battery capacity indicator, Power-select function indicator, OPS indicator, Overheat warning, Low temperature warning, Parking brake warning indicator, Hour meter, Battery overdischarge warning, Battery remaining-charge warning, Parking brake on/off alarm, Return-to-neutral warning, Digital diagnosis, Maximum speed limitation setting, Auto power off time setting)
- Power select function
- Power keep function
- Auto power-off function
- Anti-rollback
- Rear combination lights
- ORS seat
- Memory tilt steering column
- Foot activated parking brake (Release by lever)
- Full hydraulic power steering
- Electric horn
- Emergency power shut-down button
- Battery hood damper
- Floor mat
- Assist grip
- Document crip
- Overhead guard
- Drawbar pin

Availability and specifications are determined regionally and are subject to change without notice.  
Please consult your Toyota representative for details.

---

All rights reserved by Toyota Industries Corporation.