

Engine powered forklift 1.5 - 3.5 ton

TONERO



Engine powered forklift 1.5 - 1.75 ton

Truck specifications					02-8FGF15	42-8FDF15	02-8FGF18	42-8FDF18
Identification	1.1	Manufacturer			TOYOTA	TOYOTA	TOYOTA	TOYOTA
	1.2	Model			02-8FGF15	42-8FDF15	02-8FGF18	42-8FDF18
	1.3	Drive			LPG	Diesel	LPG	Diesel
	1.4	Operator type			Rider seated	Rider seated	Rider seated	Rider seated
	1.5	Load capacity/rated load	Q	kg	1500	1500	1750	1750
	1.6	Load centre	c	mm	500	500	500	500
	1.8	Load distance, centre of drive axle to fork	x	mm	410	410	410	410
	1.9	Wheelbase	y	mm	1485	1485	1485	1485
	Weight	2.1	Service weight		kg	2450	2550	2630
2.2		Axle load, with load, front/rear		kg	3460/490	3510/540	3820/560	3940/540
2.3		Axle load, without load, front/rear		kg	1040/1410	1090/1460	1000/1630	1120/1610
Tyres	3.1	Tyre - pneumatic (P), pneumatic shaped cushion (SE), solid rubber (R)			SE	SE	SE	SE
	3.2	Tyre size, front			6,50 - 10	6,50 - 10	6,50 - 10	6,50 - 10
	3.3	Tyre size, rear			5,00 - 8	5,00 - 8	5,00 - 8	5,00 - 8
	3.5	Wheels, number front/rear (x = driven wheels)			2x/2	2x/2	2x/2	2x/2
	3.6	Track width, front	b ₁₀	mm	885	885	885	885
	3.7	Track width, rear	b ₁₁	mm	895	895	895	895
	Dimensions	4.1	Tilt of mast/fork carriage forward/backward	α/β	deg	6/11	6/11	6/11
4.2		Height, mast lowered	h ₁	mm	1995	1995	1995	1995
4.3		Free lift	h ₂	mm	150	150	150	150
4.4		Lift	h ₃	mm	2960	2960	2960	2960
		Lift height	h ₂₃	mm	3000	3000	3000	3000
4.5		Height, mast extended	h ₄	mm	4250	4250	4250	4250
4.7		Height of overhead guard (cab)	h ₆	mm	2080	2080	2080	2080
4.8		Seat height	h ₇	mm	1020	1020	1020	1020
4.12		Coupling height	h ₁₀	mm	285	285	285	285
4.19		Overall length	l ₁	mm	3290	3290	3315	3315
4.20		Length to face of forks	l ₂	mm	2290	2290	2315	2315
4.21		Overall width	b ₁	mm	1070	1070	1070	1070
4.22		Fork dimensions	s/e/l	mm	40/80/1000	40/80/1000	40/80/1000	40/80/1000
4.23		Fork carriage DIN 15 173, class/type A, B			I/A	I/A	I/A	I/A
4.24		Fork-carriage width	b ₃	mm	920	920	920	920
4.31		Ground clearance, with load, below mast	m ₁	mm	80	80	80	80
4.32	Ground clearance, centre of wheelbase	m ₂	mm	95	95	95	95	
4.33	Aisle width for pallets 1000x1200 crossways	A _{st}	mm	3600	3600	3620	3620	
4.34	Aisle width for pallets 800x1200 lengthways	A _{st}	mm	3800	3800	3820	3820	
4.35	Turning radius	W _a	mm	1990	1990	2010	2010	
4.36	Internal turning radius	b ₁₃	mm	575	575	575	575	
Performance data	5.1	Travel speed, with/without load		km/h	18,5/19,0	12,0/12,5	18,5/19,0	12,0/12,5
	5.2	Lift speed, with/without load		m/s	0,67/0,68	0,45/0,52	0,67/0,68	0,45/0,52
	5.3	Lowering speed, with/without load		m/s	0,50/0,55	0,50/0,55	0,50/0,55	0,50/0,55
	5.6	Max. drawbar pull, with/without load		N	17500/6300	11800/6300	17500/6300	11800/6300
	5.7	Gradeability, with load ¹⁾²⁾		%	41	27	40	24
	5.8	Max. gradeability, with/without load ²⁾		%	45/22	33/20	44/20	29/20
5.10	Service brake				Hydraulic	Hydraulic	Hydraulic	
Combustion engine	7.1	Engine manufacturer/type			Toyota 4Y-ECS (V)	Toyota 1DZ-III (V)	Toyota 4Y-ECS (V)	Toyota 1DZ-III (V)
	7.2	Engine power according to ISO 1585		kW	38	17,5	38	17,5
	7.3	Rated speed		1/min	2570	1700	2570	1700
	7.4	No. of cylinders/displacement		cm ³	4/2237	4/2486	4/2237	4/2486
	7.5a	Fuel consumption according to EN16796		l/h	—	2,4	—	2,6
	7.5b	Fuel consumption according to EN16796		kg/h	2,1	—	2,1	—
Others	8.2	Operating pressure for attachments		bar	118	118	118	118
	8.3	Oil volume for attachments		l/min	65 max.	64 max.	65 max.	64 max.
	8.4	Sound level at the driver's ear according to EN 12 053		dB(A)	77	79	77	79

¹⁾ At 1,5 km/h

²⁾ Computed values

Performance data and dimensions are nominal and subject to tolerances.

Specifications are subject to change without notice.

Please obtain the latest specifications before contracting products.

Mast dimensions and rated capacities

Model			V								FV					FSV						
8FG/DF15/18	Lift height	h_{23}	3000	3300	3500	3700	4000	4500	5000	5500	3000	3300	3500	3700	4000	4300	4700	5000	5500	6000	6500	7000
	Lift	h_3	2960	3260	3460	3660	3960	4460	4960	5460	2960	3260	3460	3660	3960	4260	4660	4960	5460	5960	6460	6960
	Height, mast lowered	h_1	1995	2145	2245	2405	2595	2845	3095	3345	1995	2145	2245	2405	2595	1995	2145	2245	2405	2595	2845	3095
	Height, mast extended ¹⁾	h_4	3640	3940	4140	4340	4640	5140	5640	6140	3590	3890	4090	4290	4590	4865	5265	5565	6065	6565	7065	7565
	Height, mast extended ²⁾	h_4	4250	4550	4750	4950	5250	5750	6250	6750	4240	4540	4740	4940	5240	5540	5940	6240	6740	7240	7740	8240
	Free lift, without load backrest	h_2	150	150	150	150	150	150	150	150	1440	1590	1690	1850	2040	1460	1610	1710	1870	2060	2310	2560
	Free lift, with load backrest	h_2	150	150	150	150	150	150	150	150	785	935	1035	1195	1385	785	935	1035	1195	1385	1635	1885

1) Without load backrest

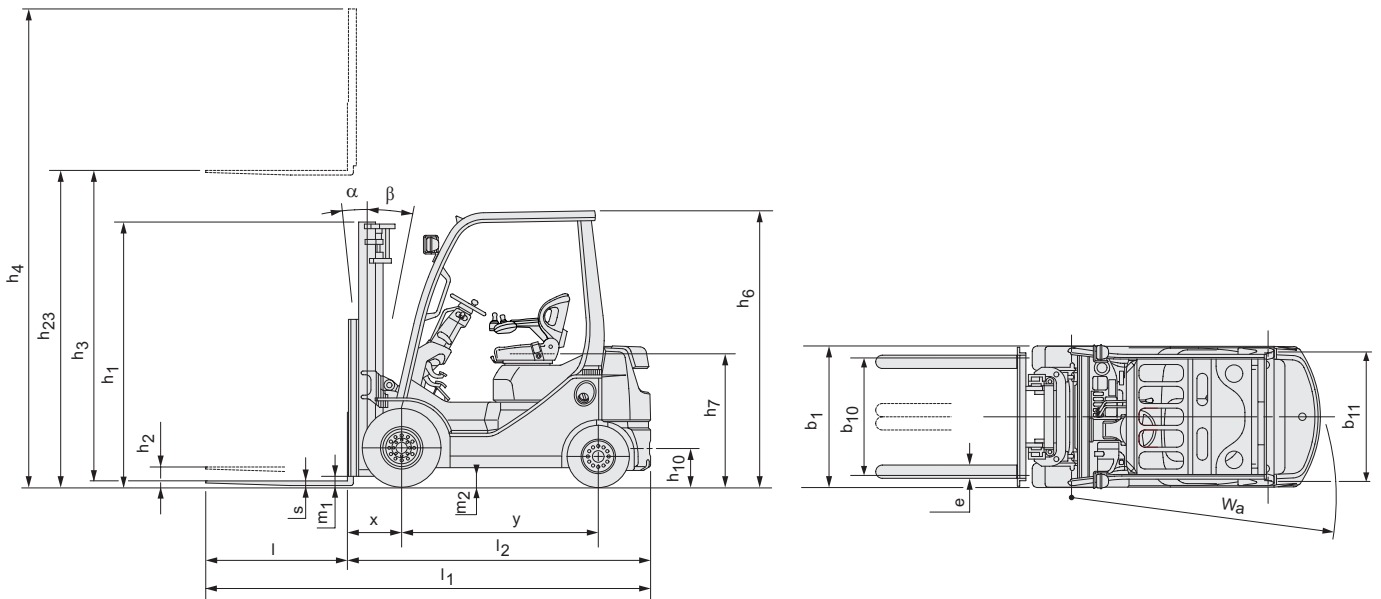
2) With load backrest; Height of standard load backrest is 1220 mm.

Data in [] are for when "A4 piping" is selected.

Single tyre			V								FV					FSV						
8FG/DF15	Tilt range, forward	deg	6	6	6	6	6	6	6	—	6	6	6	6	6	6	6	6	6	6	6	—
	Tilt range, backward	deg	11(6)	11(6)	11(6)	11(6)	11(6)	6	6	—	11(6)	11(6)	11(6)	11(6)	11(6)	6	6	6	6	6	6	—
	Load capacity, P tyres at 500 mm LC	kg	1500	1500	1500	1500	1500	1450	1300	—	1500	1500	1500	1500	1500	1400	1350	1250	950	700	500	—
	Load capacity, SE tyres at 500 mm LC	kg	1500	1500	1500	1500	1500	1450	1300	—	1500	1500	1500	1500	1500	1400	1350	1300	1050	800	570	—
8FG/DF18	Tilt range, forward	deg	6	6	6	6	6	6	6	—	6	6	6	6	6	6	6	6	6	6	6	—
	Tilt range, backward	deg	11(6)	11(6)	11(6)	11(6)	11(6)	6	6	—	11(6)	11(6)	11(6)	11(6)	11(6)	6	6	6	6	6	6	—
	Load capacity, P tyres at 500 mm LC	kg	1750	1750	1750	1750	1700	1600	1550	—	1750	1750	1750	1750	1700	1550	1500	1450	1100	850	500	—
	Load capacity, SE tyres at 500 mm LC	kg	1750	1750	1750	1750	1700	1600	1550	—	1750	1750	1750	1750	1700	1550	1500	1450	1200	950	570	—

Dual tyre			V								FV					FSV						
8FG/DF15	Tilt range, forward	deg	7	7	7	7	7	7	7	7	7	7	7	7	7	7	7	7	7	7	7	7
	Tilt range, backward	deg	10(5)	10(5)	10(5)	10(5)	10(5)	10(5)	5	5	10(5)	10(5)	10(5)	10(5)	10(5)	5	5	5	5	5	5	5
	Load capacity, P/SE tyres 500 mm LC	kg	1500	1500	1500	1500	1500	1450	1350	1300	1500	1500	1500	1500	1500	1400	1350	1300	1250	1100	900	650
8FG/DF18	Tilt range, forward	deg	7	7	7	7	7	7	7	7	7	7	7	7	7	7	7	7	7	7	7	7
	Tilt range, backward	deg	10(5)	10(5)	10(5)	10(5)	10(5)	10(5)	5	5	10(5)	10(5)	10(5)	10(5)	10(5)	5	5	5	5	5	5	5
	Load capacity, P/SE tyres at 500 mm LC	kg	1750	1750	1750	1750	1700	1600	1550	1450	1750	1750	1750	1750	1700	1550	1500	1450	1400	1200	850	600

Data in () are for when "Cabin Series" is selected (minimum front windshield).



Engine powered forklift 2.0 ton

Truck specifications					02-8FGKF20	02-8FGF20	52-8FDF20
Identification	1.1	Manufacturer			TOYOTA	TOYOTA	TOYOTA
	1.2	Model			02-8FGKF20	02-8FGF20	52-8FDF20
	1.3	Drive			LPG	LPG	Diesel
	1.4	Operator type			Rider seated	Rider seated	Rider seated
	1.5	Load capacity/rated load	Q	kg	2000	2000	2000
	1.6	Load centre	c	mm	500	500	500
	1.8	Load distance, centre of drive axle to fork	x	mm	430	470	470
	1.9	Wheelbase	y	mm	1485	1650	1650
	Weight	2.1	Service weight		kg	3150	3250
2.2		Axle load, with load, front/rear		kg	4450/700	4580/670	4610/700
2.3		Axle load, without load, front/rear		kg	1150/2000	1410/1840	1440/1870
Tyres	3.1	Tyre - pneumatic (P), pneumatic shaped cushion (SE), solid rubber (R)			SE	SE	SE
	3.2	Tyre size, front			21x8-9	7.00-12	7.00-12
	3.3	Tyre size, rear			18x7-8	6.00-9	6.00-9
	3.5	Wheels, number front/rear (x = driven wheels)			2x/2	2x/2	2x/2
	3.6	Track width, front	b ₁₀	mm	960	960	960
	3.7	Track width, rear	b ₁₁	mm	940	965	965
	Dimensions	4.1	Tilt of mast/fork carriage forward/backward	α/β	deg	7/10	6/11
4.2		Height, mast lowered	h ₁	mm	1975	1995	1995
4.3		Free lift	h ₂	mm	125	150	150
4.4		Lift	h ₃	mm	2960	2960	2960
		Lift height	h ₂₃	mm	3000	3000	3000
4.5		Height, mast extended	h ₄	mm	4250	4250	4250
4.7		Height of overhead guard (cab)	h ₆	mm	2085	2110	2110
4.8		Seat height	h ₇	mm	1025	1050	1050
4.12		Coupling height	h ₁₀	mm	285	315	315
4.19		Overall length	l ₁	mm	3370	3575	3575
4.20		Length to face of forks	l ₂	mm	2370	2575	2575
4.21		Overall width	b ₁	mm	1155	1150	1150
4.22		Fork dimensions	s/e/l	mm	40/100/1000	40/100/1000	40/100/1000
4.23		Fork carriage DIN 15 173, class/type A, B			I/A	I/A	I/A
4.24		Fork-carriage width	b ₃	mm	1020	1020	1020
4.31		Ground clearance, with load, below mast	m ₁	mm	60	90	90
4.32		Ground clearance, centre of wheelbase	m ₂	mm	85	135	135
4.33		Aisle width for pallets 1000x1200 crossways	A _{st}	mm	3670	3870	3870
4.34	Aisle width for pallets 800x1200 lengthways	A _{st}	mm	3870	4070	4070	
4.35	Turning radius	W _a	mm	2040	2200	2200	
4.36	Internal turning radius	b ₁₃	mm	630	745	745	
Performance data	5.1	Travel speed, with/without load		km/h	17,0/17,5	17,5/18,0	19,0/19,5
	5.2	Lift speed, with/without load		m/s	0,60/0,64	0,60/0,64	0,62/0,66
	5.3	Lowering speed, with/without load		m/s	0,50/0,50	0,50/0,50	0,50/0,50
	5.6	Max. drawbar pull, with/without load		N	18800/7800	18500/9000	19200/9100
	5.7	Gradeability, with load ^{1) 2)}		%	36	35	33
	5.8	Max. gradeability, with/without load ²⁾		%	40/20	39/22	36/22
	5.10	Service brake			Hydraulic	Hydraulic	Hydraulic
Combustion engine	7.1	Engine manufacturer/type			Toyota 4Y-ECS (V)	Toyota 4Y-ECS (V)	Toyota 1ZS (V)
	7.2	Engine power according to ISO 1585		kW	38	38	41
	7.3	Rated speed		1/min	2570	2570	2200
	7.4	No. of cylinders/displacement		cm ³	4/2237	4/2237	3/1795
	7.5a	Fuel consumption according to EN16796		l/h	—	—	2,3
	7.5b	Fuel consumption according to EN16796		kg/h	2,2	2,3	—
Others	8.2	Operating pressure for attachments		bar	147	147	174
	8.3	Oil volume for attachments		l/min	65 - 71	65 - 71	65 - 77
	8.4	Sound level at the driver's ear according to EN 12 053		dB(A)	77	77	77

¹⁾ At 1,5 km/h

²⁾ Computed values

Performance data and dimensions are nominal and subject to tolerances.

Specifications are subject to change without notice.

Please obtain the latest specifications before contracting products.

Mast dimensions and rated capacities

Model			V								FV					FSV							
8FGKF20	Lift height	h_{23}	3000	3300	3500	3700	4000	4500	5000	—	3000	3300	3500	3700	4000	4300	4700	5000	5500	6000	6500	7000	
	Lift	h_3	2960	3260	3460	3660	3960	4460	4960	—	2960	3260	3460	3660	3960	4260	4660	4960	5460	5960	—	—	
	Height, mast lowered	h_1	1975	2125	2225	2385	2575	2825	3075	—	1975	2125	2225	2385	2575	1975	2125	2225	2385	2575	—	—	
	Height, mast extended ¹⁾	h_4	3705	4005	4205	4405	4705	5205	5705	—	3635	3935	4135	4335	4635	4975	5375	5675	6175	6675	—	—	
	Height, mast extended ²⁾	h_4	4250	4550	4750	4950	5250	5750	6250	—	4240	4540	4740	4940	5240	5540	5940	6240	6740	7240	—	—	
	Free lift, without load backrest	h_2	125	125	125	125	125	125	—	—	1370	1520	1620	1780	1970	1330	1480	1580	1740	1930	—	—	
	Free lift, with load backrest	h_2	125	125	125	125	125	125	—	—	765	915	1015	1175	1365	765	915	1015	1175	1365	—	—	
8FG/DF20	Lift height	h_{23}	3000	3300	3500	3700	4000	4500	5000	5500	3000	3300	3500	3700	4000	4300	4700	5000	5500	6000	6500	7000	
	Lift	h_3	2960	3260	3460	3660	3960	4460	4960	5460	2960	3260	3460	3660	3960	4260	4660	4960	5460	5960	6460	6960	
	Height, mast lowered	h_1	1995	2145	2245	2405	2595	2845	3095	3345	1995	2145	2245	2405	2595	1995	2145	2245	2405	2595	2845	3095	
	Height, mast extended ¹⁾	h_4	3700	4000	4200	4400	4700	5200	5700	6200	3625	3925	4125	4325	4625	4900	5300	5600	6100	6600	7100	7600	
	Height, mast extended ²⁾	h_4	4250	4550	4750	4950	5250	5750	6250	6750	4240	4540	4740	4940	5240	5540	5940	6240	6740	7240	7740	8240	
	Free lift, without load backrest	h_2	150	150	150	150	150	150	150	150	1400	1550	1650	1810	2000	1425	1575	1675	1835	2025	2275	2525	
	Free lift, with load backrest	h_2	150	150	150	150	150	150	150	150	785	935	1035	1195	1385	785	935	1035	1195	1385	1635	1885	

1) Without load backrest

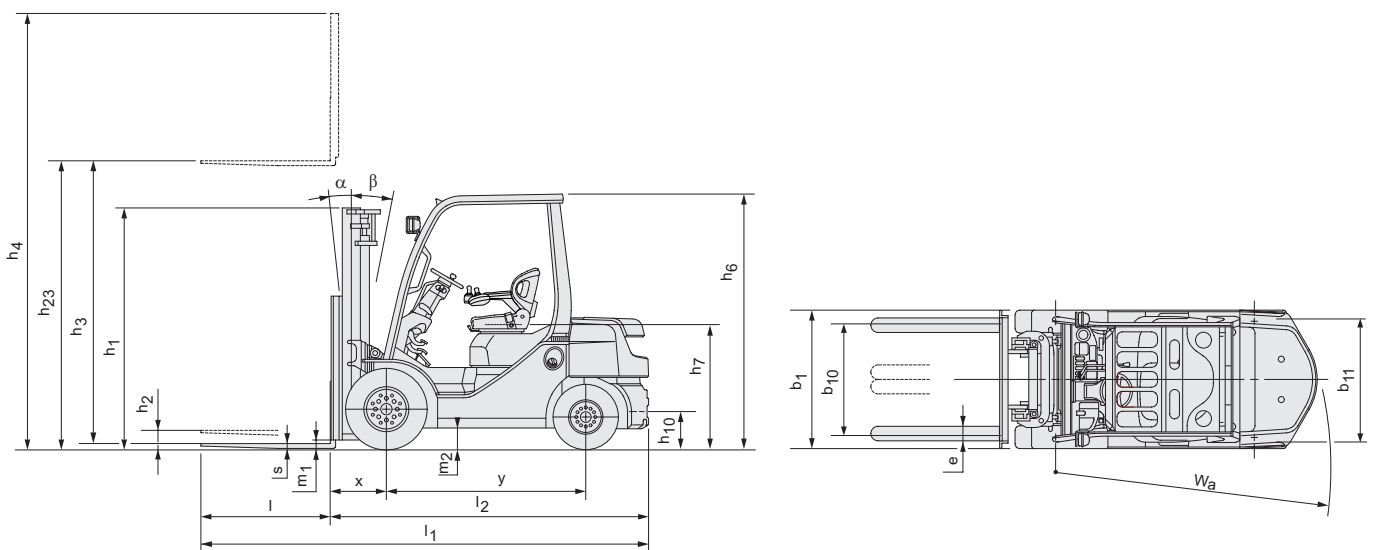
2) With load backrest; Height of standard load backrest is 1220 mm.

Data in [] are for when "A4 piping" is selected.

Single tyre			V								FV					FSV							
8FGKF20	Tilt range, forward	deg	7	7	7	7	7	7	—	7	7	7	7	7	7	7	7	7	7	—	—		
	Tilt range, backward	deg	10(5)	10(5)	10(5)	10(5)	10(5)	5	5	—	10(5)	10(5)	10(5)	10(5)	10(5)	5	5	5	5	5	—	—	
	Load capacity, P tyres at 500 mm LC	kg	2000	2000	2000	2000	2000	1950	1850	—	2000	2000	2000	2000	2000	1900	1850	1450	1200	850	—	—	
	Load capacity, SE tyres at 500 mm LC	kg	2000	2000	2000	2000	2000	2000	2000	—	2000	2000	2000	2000	2000	2000	2000	1600	1350	1000	—	—	
8FG/DF20	Tilt range, forward	deg	6	6	6	6	6	6	—	6	6	6	6	6	6	6	6	6	6	6	—		
	Tilt range, backward	deg	11(6)	11(6)	11(6)	11(6)	11(6)	6	6	—	11(6)	11(6)	11(6)	11(6)	11(6)	6	6	6	6	6	6	—	
	Load capacity, P tyres at 500 mm LC	kg	2000	2000	2000	2000	2000	1950	1850	—	2000	2000	2000	2000	2000	1900	1850	1450	1200	850	650	—	
	Load capacity, SE tyres at 500 mm LC	kg	2000	2000	2000	2000	2000	1950	1900	—	2000	2000	2000	2000	2000	1900	1850	1600	1350	1000	750	—	

Dual tyre			V								FV					FSV							
8FG/DF20	Tilt range, forward	deg	6	6	6	6	6	6	6	6	6	6	6	6	6	6	6	6	6	6	6	6	
	Tilt range, backward	deg	11(6)	11(6)	11(6)	11(6)	11(6)	11(6)	6	6	11(6)	11(6)	11(6)	11(6)	11(6)	6	6	6	6	6	6	6	
	Load capacity, P/SE tyres at 500 mm LC	kg	2000	2000	2000	2000	2000	1950	1900	1800	2000	2000	2000	2000	2000	1950	1900	1850	1800	1600	1550	1200	

Data in () are for when "Cabin Series" is selected (minimum front windshield).



Engine powered forklift 2.5 ton

Truck specifications					02-8FGF25	52-8FDF25
Identification	1.1	Manufacturer			TOYOTA	TOYOTA
	1.2	Model			02-8FGF25	52-8FDF25
	1.3	Drive			LPG	Diesel
	1.4	Operator type			Rider seated	Rider seated
	1.5	Load capacity/rated load	Q	kg	2500	2500
	1.6	Load centre	c	mm	500	500
	1.8	Load distance, centre of drive axle to fork	x	mm	470	470
	1.9	Wheelbase	y	mm	1650	1650
	Weight	2.1	Service weight		kg	3560
2.2		Axle load, with load, front/rear		kg	5280/780	5310/810
2.3		Axle load, without load, front/rear		kg	1300/2260	1330/2290
Tyres	3.1	Tyre - pneumatic (P), pneumatic shaped cushion (SE), solid rubber (R)			SE	SE
	3.2	Tyre size, front			7,00-12	7,00-12
	3.3	Tyre size, rear			6,00-9	6,00-9
	3.5	Wheels, number front/rear (x = driven wheels)			2x/2	2x/2
	3.6	Track width, front	b ₁₀	mm	960	960
	3.7	Track width, rear	b ₁₁	mm	965	965
	Dimensions	4.1	Tilt of mast/fork carriage forward/backward	α/β	deg	6/11
4.2		Height, mast lowered	h ₁	mm	1995	1995
4.3		Free lift	h ₂	mm	150	150
4.4		Lift	h ₃	mm	2960	2960
		Lift height	h ₂₃	mm	3000	3000
4.5		Height, mast extended	h ₄	mm	4250	4250
4.7		Height of overhead guard (cab)	h ₆	mm	2110	2110
4.8		Seat height	h ₇	mm	1050	1050
4.12		Coupling height	h ₁₀	mm	315	315
4.19		Overall length	l ₁	mm	3640	3640
4.20		Length to face of forks	l ₂	mm	2640	2640
4.21		Overall width	b ₁	mm	1150	1150
4.22		Fork dimensions	s/e/l	mm	40/100/1000	40/100/1000
4.23		Fork carriage DIN 15 173, class/type A, B			IIA	IIA
4.24		Fork-carriage width	b ₃	mm	1020	1020
4.31		Ground clearance, with load, below mast	m ₁	mm	90	90
4.32		Ground clearance, centre of wheelbase	m ₂	mm	135	135
4.33		Aisle width for pallets 1000x1200 crossways	A _{st}	mm	3950	3950
4.34	Aisle width for pallets 800x1200 lengthways	A _{st}	mm	4150	4150	
4.35	Turning radius	W _o	mm	2280	2280	
4.36	Internal turning radius	b ₁₃	mm	745	745	
Performance data	5.1	Travel speed, with/without load		km/h	17,5/18	19/19,5
	5.2	Lift speed, with/without load		m/s	0,60/0,64	0,62/0,66
	5.3	Lowering speed, with/without load		m/s	0,50/0,50	0,50/0,50
	5.6	Max. drawbar pull, with/without load		N	18500/8500	19200/8700
	5.7	Gradeability, with load ¹⁾²⁾		%	29	28
	5.8	Max. gradeability, with/without load ²⁾		%	33/19	31/19
	5.10	Service brake			Hydraulic	Hydraulic
Combustion engine	7.1	Engine manufacturer/type			Toyota 4Y-ECS (V)	Toyota 1ZS (V)
	7.2	Engine power according to ISO 1585		kW	38	41
	7.3	Rated speed		1/min	2570	2200
	7.4	No. of cylinders/displacement		cm ³	4/2237	3/1795
	7.5a	Fuel consumption according to EN16796		l/h	—	2,6
	7.5b	Fuel consumption according to EN16796		kg/h	2,4	—
Others	8.2	Operating pressure for attachments		bar	147	147
	8.3	Oil volume for attachments		l/min	65-71	65-82
	8.4	Sound level at the driver's ear according to EN 12 053		dB(A)	77	77

¹⁾ At 1,5 km/h

²⁾ Computed values

Performance data and dimensions are nominal and subject to tolerances.

Specifications are subject to change without notice.

Please obtain the latest specifications before contracting products.

Mast dimensions and rated capacities

Model			V							FV					FSV							
8FG/DF25	Lift height	h_{23}	3000	3300	3500	3700	4000	4500	5000	5500	3000	3300	3500	3700	4000	4300	4700	5000	5500	6000	6500	7000
	Lift	h_3	2960	3260	3460	3660	3960	4460	4960	5460	2960	3260	3460	3660	3960	4260	4660	4960	5460	5960	6460	6960
	Height, mast lowered	h_1	1995	2145	2245	2405	2595	2845	3095	3345	1995	2145	2245	2405	2595	1995	2145	2245	2405	2595	2845	3095
	Height, mast extended ¹⁾	h_4	3700	4000	4200	4400	4700	5200	5700	6200	3625	3925	4125	4325	4625	4900	5300	5600	6100	6600	7100	7600
	Height, mast extended ²⁾	h_4	4250	4550	4750	4950	5250	5750	6250	6750	4240	4540	4740	4940	5240	5540	5940	6240	6740	7240	7740	8240
	Free lift, without load backrest	h_2	150	150	150	150	150	150	150	150	1400 [1220]	1550 [1370]	1650 [1470]	1810 [1630]	2000 [1820]	1425	1575	1675	1835	2025	2275	2525
	Free lift, with load backrest	h_2	150	150	150	150	150	150	150	150	785	935	1035	1195	1385	785	935	1035	1195	1385	1635	1885

1) Without load backrest

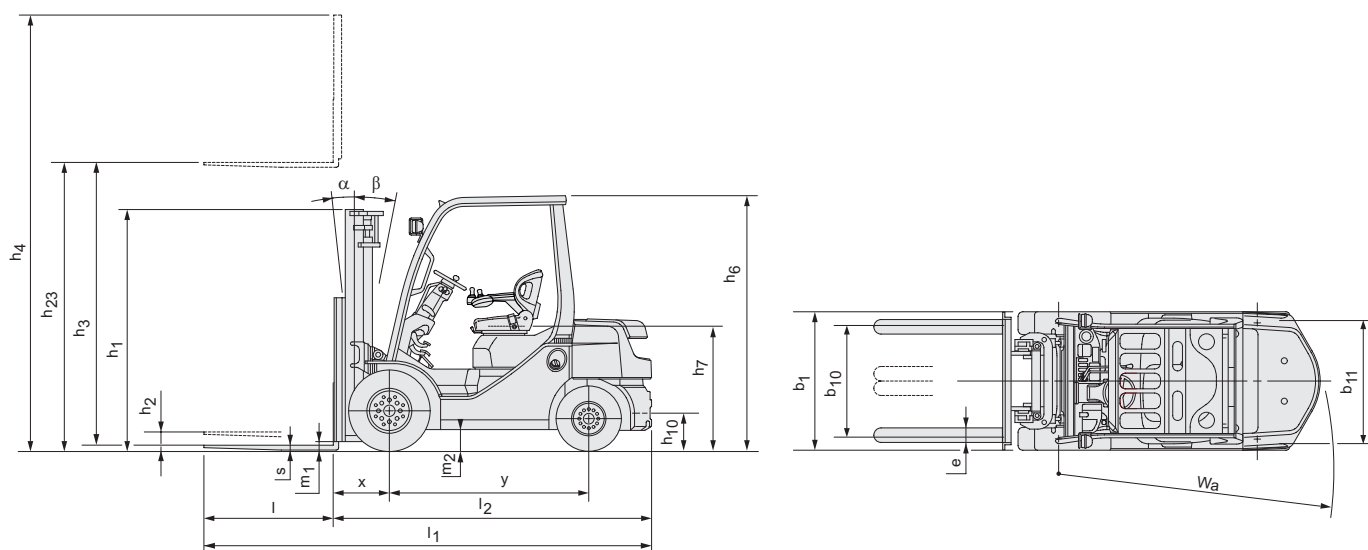
2) With load backrest; Height of standard load backrest is 1220 mm.

Data in [] are for when "A4 piping" is selected.

Single tyre			V							FV					FSV							
8FG/DF25	Tilt range, forward	deg	6	6	6	6	6	6	6	—	6	6	6	6	6	6	6	6	6	6	6	—
	Tilt range, backward	deg	11(6)	11(6)	11(6)	11(6)	9	6	6	—	11(6)	11(6)	11(6)	11(6)	9	6	6	6	6	6	6	—
	Load capacity, P tyres at 500 mm LC	kg	2500	2500	2500	2500	2500	2150	1700	—	2500	2500	2500	2500	2500	2300	2000	1500	1250	900	650	—
	Load capacity, SE tyres at 500 mm LC	kg	2500	2500	2500	2500	2500	2300	1850	—	2500	2500	2500	2500	2500	2300	2000	1650	1400	1050	750	—

Dual tyre			V							FV					FSV							
8FG/DF25	Tilt range, forward	deg	6	6	6	6	6	6	6	6	6	6	6	6	6	6	6	6	6	6	6	6
	Tilt range, backward	deg	11(6)	11(6)	11(6)	11(6)	11(6)	11(6)	6	6	11(6)	11(6)	11(6)	11(6)	11(6)	6	6	6	6	6	6	6
	Load capacity, P/SE tyres at 500 mm LC	kg	2500	2500	2500	2500	2500	2450	2400	2300	2500	2500	2500	2500	2500	2500	2450	2400	2050	1700	1550	1200

Data in () are for when "Cabin Series" is selected (minimum front windshield).



Engine powered forklift 3.0 ton

Truck specifications					02-8FGF30	52-8FDF30
Identification	1.1	Manufacturer			TOYOTA	TOYOTA
	1.2	Model			02-8FGF30	52-8FDF30
	1.3	Drive			LPG	Diesel
	1.4	Operator type			Rider seated	Rider seated
	1.5	Load capacity/rated load	Q	kg	3000	3000
	1.6	Load centre	c	mm	500	500
	1.8	Load distance, centre of drive axle to fork	x	mm	485	485
	1.9	Wheelbase	y	mm	1700	1700
	Weight	2.1	Service weight		kg	4210
2.2		Axle load, with load, front/rear		kg	6230/980	6280/1000
2.3		Axle load, without load, front/rear		kg	1490/2720	1540/2740
Tyres	3.1	Tyre - pneumatic (P), pneumatic shaped cushion (SE), solid rubber (R)			SE	SE
	3.2	Tyre size, front			28x9-15	28x9-15
	3.3	Tyre size, rear			6,50-10	6,50-10
	3.5	Wheels, number front/rear (x = driven wheels)			2x/2	2x/2
	3.6	Track width, front	b ₁₀	mm	1010	1010
	3.7	Track width, rear	b ₁₁	mm	965	965
	Dimensions	4.1	Tilt of mast/fork carriage forward/backward			α/β deg
4.2		Height, mast lowered			h ₁ mm	2010
4.3		Free lift			h ₂ mm	135
4.4		Lift			h ₃ mm	2955
		Lift height			h ₂₃ mm	3000
4.5		Height, mast extended			h ₄ mm	4260
4.7		Height of overhead guard (cab)			h ₆ mm	2170
4.8		Seat height			h ₇ mm	1110
4.12		Coupling height			h ₁₀ mm	335
4.19		Overall length			l ₁ mm	3780
4.20		Length to face of forks			l ₂ mm	2780
4.21		Overall width			b ₁ mm	1240
4.22		Fork dimensions			s/e/l mm	45/100/1000
4.23		Fork carriage DIN 15 173, class/type A, B				IIIA
4.24		Fork-carriage width			b ₃ mm	1070
4.31		Ground clearance, with load, below mast			m ₁ mm	110
4.32		Ground clearance, centre of wheelbase			m ₂ mm	180
4.33		Aisle width for pallets 1000x1200 crossways			A _{st} mm	4115
4.34	Aisle width for pallets 800x1200 lengthways			A _{st} mm	4315	
4.35	Turning radius			W _a mm	2430	
4.36	Internal turning radius			b ₁₃ mm	720	
Performance data	5.1	Travel speed, with/without load			km/h	18,5/19,0
	5.2	Lift speed, with/without load			m/s	0,51/0,55
	5.3	Lowering speed, with/without load			m/s	0,50/0,50
	5.6	Max. drawbar pull, with/without load			N	18000/10300
	5.7	Gradeability, with load ¹⁾²⁾			%	23
	5.8	Max. gradeability, with/without load ²⁾			%	26/20
	5.10	Service brake				Hydraulic
Combustion engine	7.1	Engine manufacturer/type				Toyota 4Y-ECS (V)
	7.2	Engine power according to ISO 1585			kW	42
	7.3	Rated speed			1/min	2570
	7.4	No. of cylinders/displacement			cm ³	4/2237
	7.5a	Fuel consumption according to EN16796			l/h	—
	7.5b	Fuel consumption according to EN16796			kg/h	3,1
Others	8.2	Operating pressure for attachments			bar	147
	8.3	Oil volume for attachments			l/min	65 - 74
	8.4	Sound level at the driver's ear according to EN 12 053			dB(A)	77

¹⁾ At 1,5 km/h

²⁾ Computed values

Performance data and dimensions are nominal and subject to tolerances.

Specifications are subject to change without notice.

Please obtain the latest specifications before contracting products.

Mast dimensions and rated capacities

Model			V								FV					FSV							
8FG/DF30	Lift height	h_{23}	3000	3300	3500	3700	4000	4500	5000	5500	6000	3000	3300	3500	3700	4000	4300	4700	5000	5500	6000	6500	7000
	Lift	h_3	2955	3255	3455	3655	3955	4455	4955	5455	5955	2955	3255	3455	3655	3955	4255	4655	4955	5455	5955	6455	6955
	Height, mast lowered	h_1	2010	2160	2260	2420	2610	2860	3110	3360	3650	2010	2160	2260	2420	2610	2160	2260	2420	2610	2860	3110	3360
	Height, mast extended ¹⁾	h_4	3765	4065	4265	4465	4765	5265	5765	6265	6765	3650	3950	4150	4350	4650	4950	5350	5650	6150	6650	7150	7650
	Height, mast extended ²⁾	h_4	4260	4560	4760	4960	5260	5760	6260	6760	7260	4250	4550	4750	4950	5250	5550	5950	6250	6750	7250	7750	8250
	Free lift, without load backrest	h_2	135	135	135	135	135	135	135	135	135	1400	1550	1650	1810	2000	1550	1650	1810	2000	2250	2500	2750
	Free lift, with load backrest	h_2	135	135	135	135	135	135	135	135	135	800	950	1050	1210	1400	950	1050	1210	1400	1650	1900	2150

1) Without load backrest

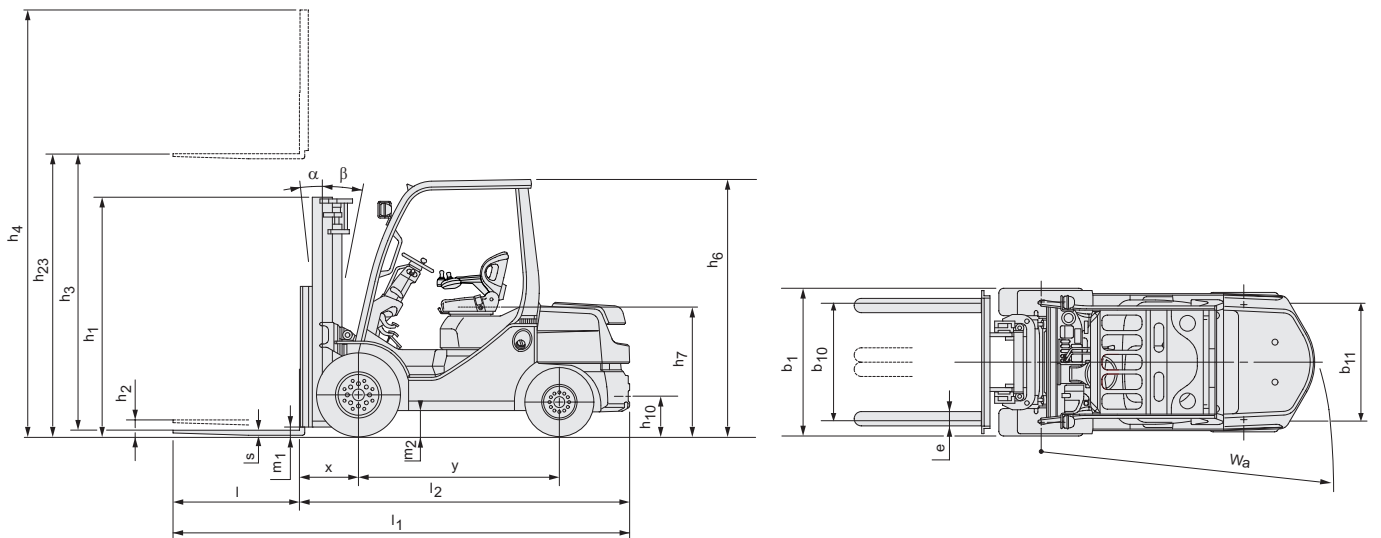
2) With load backrest; Height of standard load backrest is 1220 mm.

Data in [] are for when "A4 piping" is selected.

Single tyre			V								FV					FSV							
8FG/DF30	Tilt range, forward	deg	6	6	6	6	6	6	6	—	—	6	6	6	6	6	6	6	6	6	6	6	—
	Tilt range, backward	deg	11(6)	11(6)	11(6)	11(6)	11(6)	6	6	—	—	11(6)	11(6)	11(6)	11(6)	11(6)	6	6	6	6	6	6	—
	Load capacity, P tyres at 500 mm LC	kg	3000	3000	3000	3000	3000	3000	2600	—	—	3000	3000	3000	3000	3000	3000	3000	2600	1900	1500	1000	—
	Load capacity, SE tyres at 500 mm LC	kg	3000	3000	3000	3000	3000	3000	2750	—	—	3000	3000	3000	3000	3000	3000	3000	2750	2050	1650	1100	—

Dual tyre			V								FV					FSV							
8FG/DF30	Tilt range, forward	deg	6	6	6	6	6	6	6	6	6	6	6	6	6	6	6	6	6	6	6	6	
	Tilt range, backward	deg	11(6)	11(6)	11(6)	11(6)	11(6)	6	6	6	11(6)	11(6)	11(6)	11(6)	11(6)	6	6	6	6	6	6	6	
	Load capacity, P tyres at 500 mm LC	kg	3000	3000	3000	3000	3000	3000	2550	2050	3000	3000	3000	3000	3000	3000	3000	2950	2650	2050	1600	1200	

Data in () are for when "Cabin Series" is selected (minimum front windshield).



Engine powered forklift 3.5 ton

Truck specifications					02-8FGJF35	52-8FDJF35
Identification	1.1	Manufacturer			TOYOTA	TOYOTA
	1.2	Model			02-8FGJF35	52-8FDJF35
	1.3	Drive			LPG	Diesel
	1.4	Operator type			Rider seated	Rider seated
	1.5	Load capacity/rated load	Q	kg	3500	3500
	1.6	Load centre	c	mm	500	500
	1.8	Load distance, centre of drive axle to fork	x	mm	495	495
	1.9	Wheelbase	y	mm	1700	1700
	Weight	2.1	Service weight		kg	4820
2.2		Axle load, with load, front/rear		kg	7250/1070	7280/1110
2.3		Axle load, without load, front/rear		kg	1690/3130	1720/3170
Tyres	3.1	Tyre - pneumatic (P), pneumatic shaped cushion (SE), solid rubber (R)			SE	SE
	3.2	Tyre size, front			250 - 15	250 - 15
	3.3	Tyre size, rear			6.50 - 10	6.50 - 10
	3.5	Wheels, number front/rear (x = driven wheels)			2x2	2x2
	3.6	Track width, front	b ₁₀	mm	1060	1060
	3.7	Track width, rear	b ₁₁	mm	965	965
	Dimensions	4.1	Tilt of mast/fork carriage forward/backward	α/β	deg	6/11
4.2		Height, mast lowered	h ₁	mm	2115	2115
4.3		Free lift	h ₂	mm	135	135
4.4		Lift	h ₃	mm	2955	2955
		Lift height	h ₂₃	mm	3000	3000
4.5		Height, mast extended	h ₄	mm	4260	4260
4.7		Height of overhead guard (cab)	h ₆	mm	2180	2180
4.8		Seat height	h ₇	mm	1120	1120
4.12		Coupling height	h ₁₀	mm	335	335
4.19		Overall length	l ₁	mm	3850	3850
4.20		Length to face of forks	l ₂	mm	2850	2850
4.21		Overall width	b ₁	mm	1290	1290
4.22		Fork dimensions	s/e/l	mm	45/125/1000	45/125/1000
4.23		Fork carriage DIN 15 173, class/type A, B			IIIA	IIIA
4.24		Fork-carriage width	b ₃	mm	1070	1070
4.31		Ground clearance, with load, below mast	m ₁	mm	130	130
4.32		Ground clearance, centre of wheelbase	m ₂	mm	190	190
4.33		Aisle width for pallets 1000x1200 crossways	A _{st}	mm	4185	4185
4.34		Aisle width for pallets 800x1200 lengthways	A _{st}	mm	4385	4385
4.35	Turning radius	W _a	mm	2490	2490	
4.36	Internal turning radius	b ₁₃	mm	745	745	
Performance data	5.1	Travel speed, with/without load		km/h	19,0/19,5	19,0/19,5
	5.2	Lift speed, with/without load		m/s	0,43/0,45	0,42/0,45
	5.3	Lowering speed, with/without load		m/s	0,50/0,45	0,50/0,45
	5.6	Max. drawbar pull, with/without load		N	17000/10500	18500/10600
	5.7	Gradeability, with load ^{1) 2)}		%	18	19
	5.8	Max. gradeability, with/without load ²⁾		%	20/18	21/19
	5.10	Service brake			Hydraulic	Hydraulic
Combustion engine	7.1	Engine manufacturer/type			Toyota 4Y-ECS (V)	Toyota 1ZS (V)
	7.2	Engine power according to ISO 1585		kW	42	41
	7.3	Rated speed		1/min	2570	2200
	7.4	No. of cylinders/displacement		cm ³	4/2237	3/1795
	7.5a	Fuel consumption according to EN16796		l/h	—	3,5
	7.5b	Fuel consumption according to EN16796		kg/h	3,4	—
Others	8.2	Operating pressure for attachments		bar	147	147
	8.3	Oil volume for attachments		l/min	65 - 74	65 - 80
	8.4	Sound level at the driver's ear according to EN 12 053		dB(A)	77	77

¹⁾ At 1,5 km/h

²⁾ Computed val

Performance data and dimensions are nominal and subject to tolerances.

Specifications are subject to change without notice.

Please obtain the latest specifications before contracting products.

Mast dimensions and rated capacities

Model		V										FV					FSV						
8FG/DJF35	Lift height	h_{23}	3000	3300	3500	3700	4000	4500	5000	5500	6000	3000	3300	3500	3700	4000	4300	4700	5000	5500	6000	6500	7000
	Lift	h_3	2955	3255	3455	3655	3955	4455	4955	5455	5955	2955	3255	3455	3655	3955	4255	4655	4955	5455	5955	6455	6955
	Height, mast lowered	h_1	2115	2295	2395	2495	2745	2995	3245	3545	3795	2115	2295	2395	2495	2745	2230	2435	2625	2875	3125	3375	3625
	Height, mast extended ¹⁾	h_4	3910	4210	4410	4610	4910	5410	5910	6410	6910	3765	4065	4265	4465	4765	5065	5465	5765	6265	6765	7265	7765
	Height, mast extended ²⁾	h_4	4260	4560	4760	4960	5260	5760	6260	6760	7260	4250	4550	4750	4950	5250	5550	5950	6250	6750	7250	7750	8250
	Free lift, without load backrest	h_2	135	135	135	135	135	135	135	135	135	1390 [1290]	1570 [1470]	1670 [1570]	1770 [1670]	2020 [1920]	1500	1710	1900	2150	2400	2650	2900
	Free lift, with load backrest	h_2	135	135	135	135	135	135	135	135	135	905	1085	1185	1285	1535	1015	1225	1415	1665	1915	2165	2415

1) Without load backrest

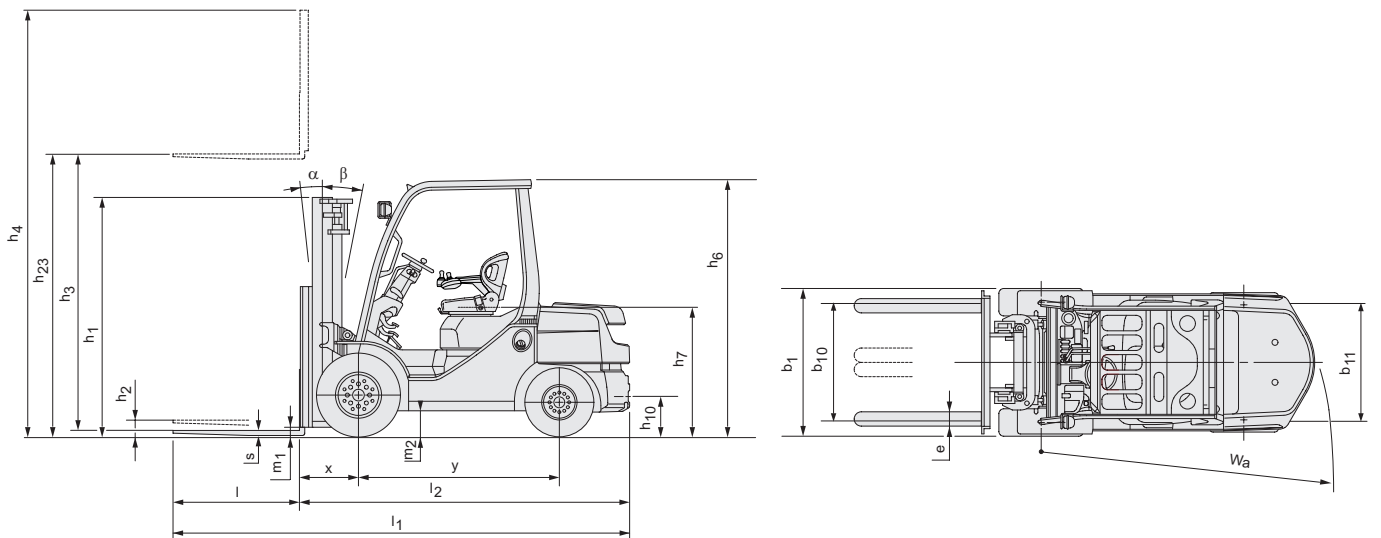
2) With load backrest; Height of standard load backrest is 1220 mm.

Data in [] are for when "A4 piping" is selected.

Single tyre		V										FV					FSV						
8FG/DJF35	Tilt range, forward	deg	6	6	6	6	6	6	6	—	—	6	6	6	6	6	6	6	6	6	6	6	—
	Tilt range, backward	deg	11(6)	11(6)	11(6)	11(6)	11(6)	6	6	—	—	11(6)	11(6)	11(6)	11(6)	11(6)	6	6	6	6	6	6	—
	Load capacity, P tyres at 500 mm LC	kg	3500	3500	3500	3500	3500	3500	3300	—	—	3500	3500	3500	3500	3500	3500	3400	3300	2700	2000	1100	—
	Load capacity, SE tyres at 500 mm LC	kg	3500	3500	3500	3500	3500	3500	3400	—	—	3500	3500	3500	3500	3500	3500	3400	3300	2850	2150	1100	—

Dual tyre		V										FV					FSV						
8FG/DJF35	Tilt range, forward	deg	6	6	6	6	6	6	6	6	6	6	6	6	6	6	6	6	6	6	6	6	6
	Tilt range, backward	deg	11(6)	11(6)	11(6)	11(6)	11(6)	11(6)	6	6	6	11(6)	11(6)	11(6)	11(6)	11(6)	6	6	6	6	6	6	6
	Load capacity, P tyres at 500 mm LC	kg	3500	3500	3500	3500	3500	3500	3400	2950	1900	3500	3500	3500	3500	3500	3500	3400	3300	3200	2400	1650	900

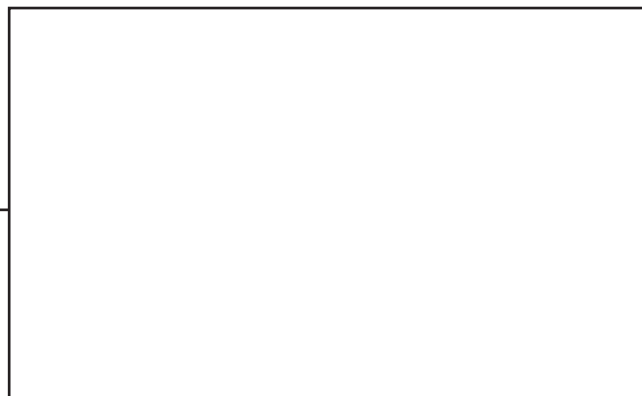
Data in () are for when "Cabin Series" is selected (minimum front windshield).



Standard equipments:

- Toyota SAS (System of Active Stability*)
- Toyota OPS (Operator Presence Sensing)
- Toyota ORS seat (Operator Restraint System)
- Orange seatbelt including seat belt interlock
- Wide visible mast (V3000 mm)
- Load backrest (Height: 1220 mm)
- Long forks (Length: 1000 mm)
- Long forkbar [Length: 920 mm (8FG/DF15.18); 1020 mm (8FG/DKF20, 8FG/ DF20.25); 1070 mm (8FG/DF30,8FG/DJF35)]
- 3-way valve (A400)
- Dual brake system
- Pneumatic shaped cushion tyres
- Full hydraulic power steering
- 7" cyclone air cleaner with snorkel air intake
- Anti-restart ignition key switch
- Long life coolant 50%
- LED Headlights
- LED Rear combination lights
- Multi function display II including self diagnostic system
- Travel speed control, engine auto stop and ECO mode (except 1DZ-III engine)
- Adjustable tilt steering column
- Polycarbonate roof
- Tilt cylinder boots (STD on 1ZS engine only)

* = When dual tyres are selected, the Active Control Rear Stabilizer function of the SAS system of Active Stability (SAS) is not included.



TMHE-Toyota Material Handling Europe — 745562-040, version 9, 2019-11-12

TOYOTA

MATERIAL HANDLING