

Hand pallet truck 1.0 ton

BT lifter

H-series

HHM100

HHL100



Hand pallet truck

Truck specifications					HHM100	HHL100
Identification	1.1	Manufacturer			Toyota	Toyota
	1.2	Manufacturer's type designation			HHM100	HHL100
	1.4	Operator type			Hand	Hand
	1.5	Load capacity/rated load	Q(t)	kg	1000	1000
	1.6	Load centre distance	c	mm	600	600
	1.8	Load distance, centre of drive axle to fork	x	mm	1013	1013
	1.9	Wheelbase	y	mm	1343	1343
Weight	2.1	Service weight		kg	118	158 ¹⁾
	2.2	Axle load, with load, drive/castor/fork wheel		kg	195/366	212/369
	2.3	Axle load, without load, drive/castor/fork wheel		kg	41/20	59/22
Wheels	3.1	Steer/fork wheel. Polyurethane (P), Nylon (N)			P/N	P/N
	3.2	Wheel size, front			Ø 175 x 58	Ø 175 x 58
	3.3	Wheel size, rear			Ø 75 x 77	Ø 75 x 77
	3.5	Wheels, number front/rear (x=driven wheels)			2/2	2/2
	3.6	Track width, front	b ₁₀	mm	130	130
	3.7	Track width, rear	b ₁₁	mm	450	450
Dimensions	4.4	Lift	h ₃	mm	713	713
		Lift height	h ₂₃	mm	800	800
	4.9	Height of towbar in drive position, min./max.	h ₁₄	mm	1223	1223
	4.15	Height, lowered	h ₁₃	mm	87	87
	4.19	Overall length	l ₁	mm	1647	1647
	4.20	Length to face of forks	l ₂	mm	468	495
	4.21	Overall width	b ₁ /b ₂	mm	560	560
	4.22	Fork dimensions	s/e/l	mm	58/156/1190	58/156/1190
	4.25	Width over forks	b ₅	mm	560	560
	4.32	Ground clearance, centre of wheelbase	m ₂	mm	19	19
	4.34	Aisle width for pallets 800 x 1200 lengthways	A _{st}	mm	1909	1909
4.35	Turning radius	W _a	mm	1522 ²⁾	1522 ²⁾	
Electric motor	6.2	Lift motor rating at S3 15%		kW	—	0,9
	6.4	Battery voltage, nominal capacity K5		V/Ah	—	12/63
	6.5	Battery weight		kg	—	23

1) Incl. battery.

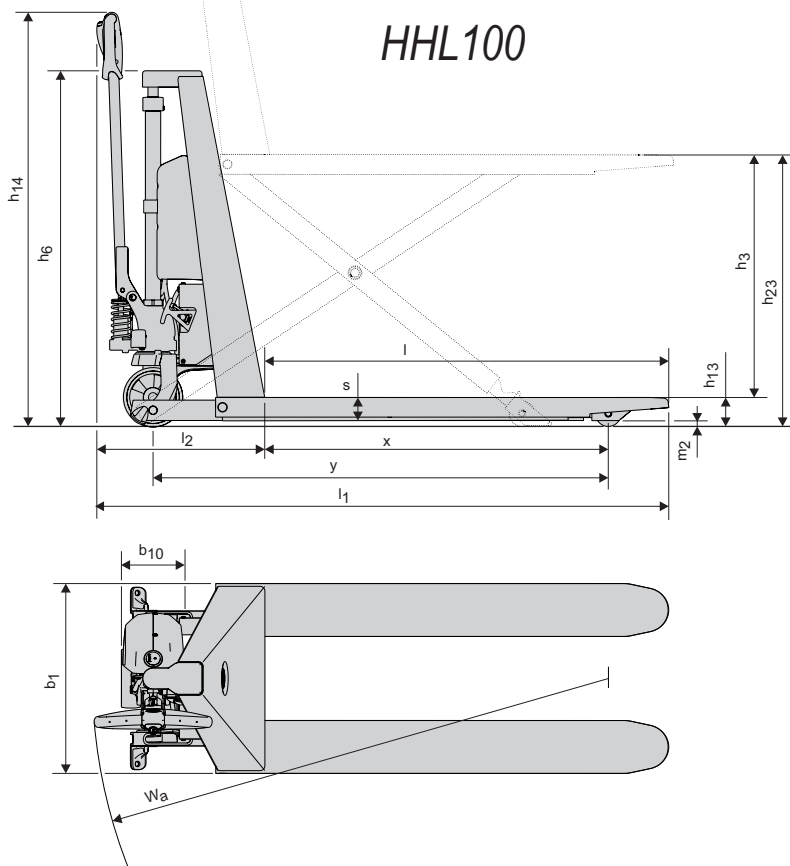
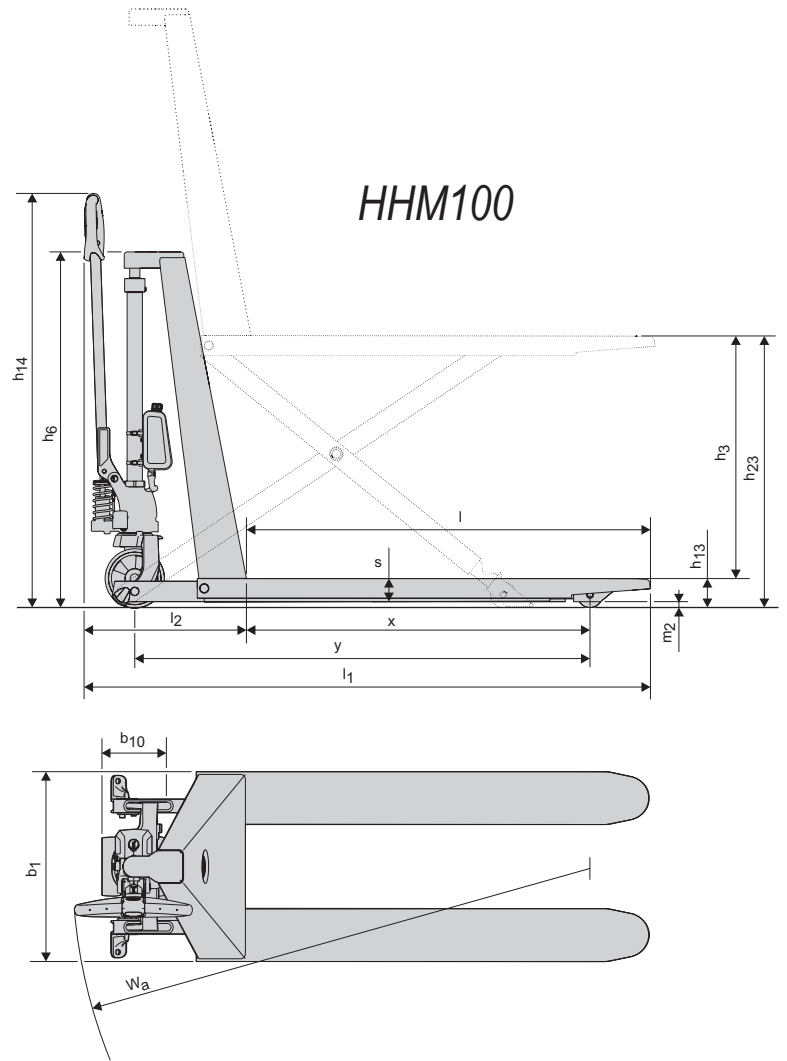
2) Towbar angle 90 degrees.

All data are based on table configuration. Other configurations may give other values.

Truck performance and dimensions are nominal and subject to tolerances.

Toyota Material Handling Manufacturing Sweden AB products and specifications are subject to change without notice.

Dimensional drawings



Truck features:

- BT Lifter H-series allow ergonomic handling of goods. The ergonomical working height, fully adjustable, is ideal for distribution, sorting operations or in a production environment.
- Maximum lift capacity 1000 kg, maximum lift height 800 mm. Short truck length provides narrow turning radius.
- Angled fork tips provide easy pallet entry and safe handling.
- Supporting clamps in front of the rollers reduce the risk of tipping forward.
- Stabilizers to ensure safety and stability in operation.
- Battery indicator as standard.
- Quicklift-function as standard. Including BT Lowering Control (BLC) for smooth handling.
- HHM100I and HHL100I are inox alternative of this truck.
- Photocell version available for efficient load handling, providing automatic lift/lowering.
- Robust design, optimized truck weight, well proven components, and produced to Toyota Production System principles
- This product has been environmentally declared.



TP-Technical Publications, Sweden — 745334-040, version 1, 1402

TOYOTA

MATERIAL HANDLING