

# Order picking truck 2.5 ton

## BT optio

*L-series*

OSE250

OSE250P



# Order picking truck

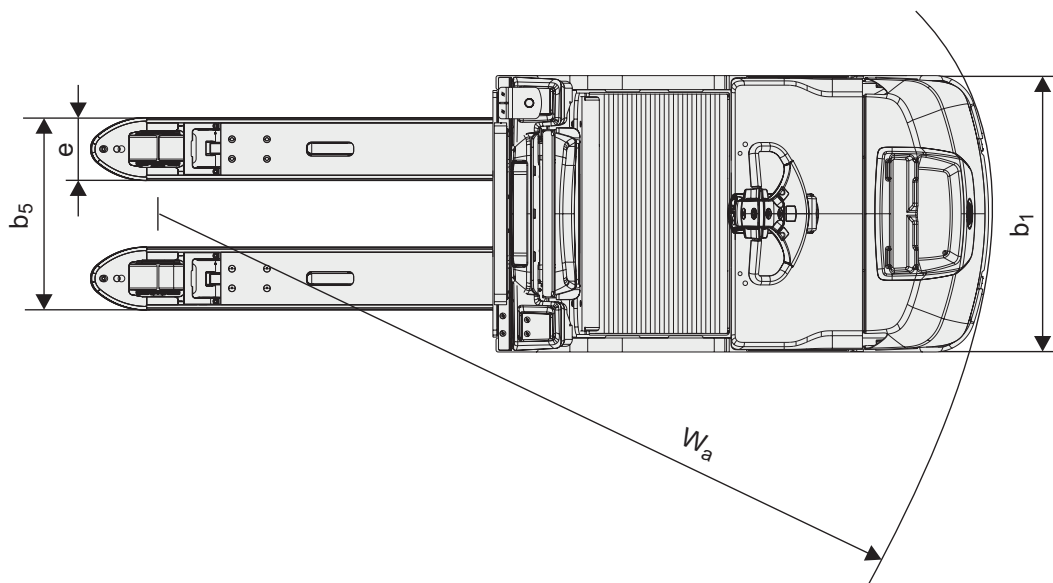
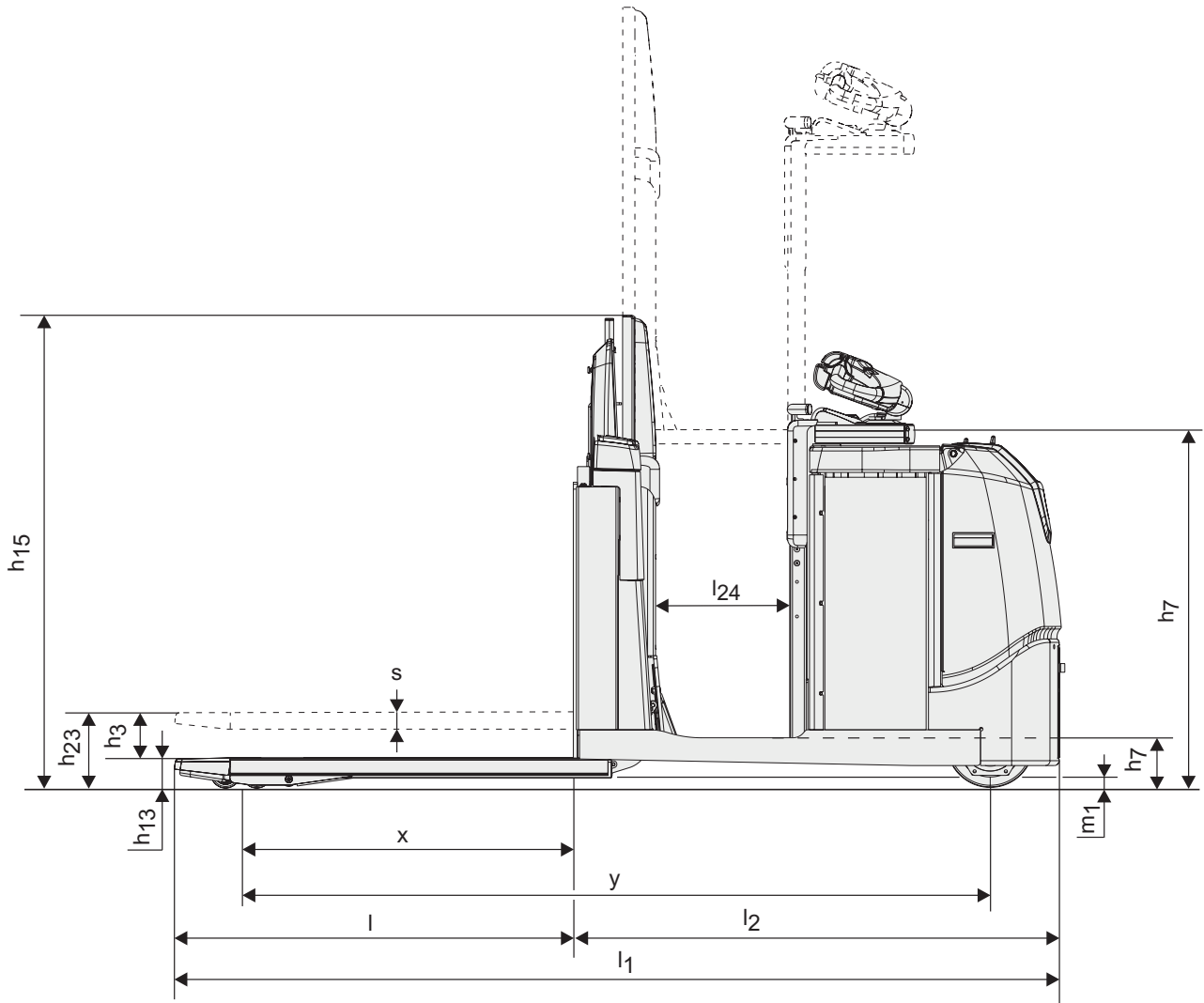
Truck specifications					OSE250	OSE250P
Identification	1.1	Manufacturer			Toyota	Toyota
	1.2	Model			OSE250	OSE250P
	1.3	Drive			Electric	Electric
	1.4	Operator type			Stand on	Stand on
	1.5	Load capacity/rated load	Q	kg	2500	2500
	1.6	Load centre distance	c	mm	1200	1200
	1.8	Load distance, back of fork to bogie wheel centre, raised/lowered support arms	x	mm	886/957	886/957
	1.9	Wheelbase, raised/lowered support arms	y	mm	2088/2159	2088/2159
	Weight	2.1	Service weight without battery, short/long chassis		kg	765/897
2.2		Axle load, with load, drive/castor/fork wheels short chassis long chassis		kg	833/670/2223	833/670/2223
				kg	894/800/2243	894/800/2243
				kg	480/270/250	480/270/250
2.3		Axle load, without load, drive/castor/fork wheels short chassis long chassis		kg	500/300/270	500/300/270
				kg	500/300/270	500/300/270
Wheels	3.1	Drive/castor/fork wheels			Polyurethane	Polyurethane
	3.2	Wheel size, front	Ø x width	mm	250 x 75	250 x 75
	3.3	Wheel size, rear	Ø x width	mm	85 x 74	85 x 74
	3.4	Additional wheels, dimensions	Ø x width	mm	150 x 78	150 x 78
	3.5	Wheels, number front / rear (x = driven wheels)			1x+1/4	1x+1/4
Dimensions	4.2.1	Overall height	$h_{15}$	mm	1277	1277
	4.4	Lift movement Lift height	$h_3$	mm	150	150
			$h_{23}$	mm	235	235
	4.8	Stand height	$h_7$	mm	138	138/980
	4.15	Height, fork lowered	$h_{13}$	mm	85	85
	4.19	Overall length, short/long chassis	$l_1$	mm	2488/2574	2488/2574
	4.20	Length to face of forks, short/long chassis	$l_2$	mm	1338/1424	1338/1424
	4.21	Overall width	$b_1$	mm	790	790
	4.22	Fork dimensions	s/e/l	mm	50/180/1150	50/180/1150
	4.25	Width over forks	$b_5$	mm	450-685	450-685
	4.31	Ground clearance	$m_1$	mm	55	55
	4.34	Aisle width for pallets 800 x 1200 lengthways, short/long chassis	$A_{st}$	mm	2815/2901	2815/2901
	4.35	Turning radius, short/long chassis	$W_a$	mm	2301/2387	2301/2387
	4.44	Clear width driver compartment entrance	$l_{24}$	mm	450	450
Performance data	5.1	Travel speed, with/without load		km/h	8,0/12,0	8,0/12,0
	5.2	Lift speed, with/without load		m/s	0,067/0,094	0,067/0,094
	5.3	Lowering speed, with/without load		m/s	0,08/0,05	0,08/0,05
	5.8	Max. gradeability, with/without load <sup>1)</sup>		%	8/13	8/13
	5.10	Service brake			Electromagnetic	Electromagnetic
Electric motor	6.1	Drive motor rating S2 60 min		kW	2,8	2,8
	6.2	Lift motor rating S3 7%		kW	2,0	2,0
	6.4	Battery voltage, nominal capacity $K_5$		V/Ah	24/310, 620	24/310, 620
	6.5	Battery weight, min./max.		kg	239/501	239/501
	6.6	Energy consumption acc to VDI cycle		kWh/h	0,61	0,61
	Other	8.1	Type of drive control			BT Powerdrive
8.4		Sound level at the driver's ear according to EN 12 053		dB(A)	63	63

1) Measured according to company standard.

All data are based on table configuration. Other configurations may give other values.

Truck performance and dimensions are nominal and subject to tolerances.

Toyota Material Handling Manufacturing Sweden AB products and specifications are subject to change without notice.



---

## Truck features:

- High performance models
- BT E-man steering concept
- Low step-in
- BT Powerdrive system
- Sensi-platform lift
  - including elevating controls (P-model)
- Integrated shrink film holder
- Streamlined administration
  - E-bar concept (option)
- Frequency adapted suspension (option)



TMHE-Toyota Material Handling Europe — 746910-040, version 8, 2020-09-17

**TOYOTA**

MATERIAL HANDLING