

Pedestrian stacker truck 0.8 ton

BT staxio

W-series

SWE080L



Pedestrian stacker with elevating support arms

Specification for stacker trucks						SWE080L
Identification	1.1	Manufacturer				Toyota
	1.2	Model				SWE080L
	1.3	Drive				Electric
	1.4	Operator type				Pedestrian
	1.5	Load capacity/rated load	Q	kg		800
		Support arm capacity/fork and support arm capacity	Q	kg		2000/—
	1.6	Load centre	c	mm		600
	1.8	Load distance, centre of support arm wheel to face of forks (support arms raised/lowered)	x	mm		815/874
	1.9	Wheelbase (support arms raised/lowered)	y	mm		1293/1352
Weight	2.1	Service weight including battery		kg		679
	2.2	Axle load, with load, drive/castor/fork wheel		kg		525/150/830
	2.3	Axle load, without load, drive/castor/fork wheel		kg		375/150/180
Wheels	3.1	Drive/castor/fork wheel				Polyurethane
	3.2	Wheel size, front		mm		Ø230x70
	3.3	Wheel size, rear		mm		Ø85x74
	3.4	Additional wheels (dimensions)		mm		Ø125x50
	3.5	Wheels, number front/rear (x = driven wheels)				1x+2/4
	3.6	Track width, front	b ₁₀	mm		430
	3.7	Track width, rear	b ₁₁	mm		390
Dimensions	4.2	Height, mast lowered	h ₁	mm		1863 *)
	4.3	Free lift	h ₂	mm		1580 *)
	4.4	Lift	h ₃	mm		1490 *)
		Lift height	h ₂₃	mm		1580 *)
	4.5	Height, mast extended	h ₄	mm		1863 *)
	4.6	Initial lift	h ₅	mm		120
	4.9	Height of tiller in drive position, min./max.	h ₁₄	mm		865/1235
	4.15	Height, fork lowered	h ₁₃	mm		90
	4.19	Overall length	l ₁	mm		1777
	4.20	Length to face of forks	l ₂	mm		627
	4.21	Overall width	b ₁	mm		726
	4.22	Fork dimensions	s/e/l	mm		60/180/1150 *)
	4.24	Fork-carriage width	b ₃	mm		674
	4.25	Width over forks	b ₅	mm		570 *)
	4.31	Ground clearance, with load, below mast (forks raised/lowered)	m ₁	mm		145/25
4.32	Ground clearance, centre of wheelbase (forks raised/lowered)	m ₂	mm		145/25	
4.34.1	Aisle width for pallets 1000x1200 crossways	A _{st}	mm		2256	
4.34.2	Aisle width for pallets 800x1200 lengthways	A _{st}	mm		2159	
4.35	Turning radius	W _a	mm		1442	
Performance data	5.1	Travel speed, with/without load		km/h		6/6
	5.2	Lift speed, with/without load		m/s		0.14/0.21
	5.3	Lowering speed, with/without load		m/s		0.29/0.20
	5.8	Max. gradeability, with/without load		%		9/18 ¹⁾
	5.10	Service brake				Electromagnetic
Electric motor	6.1	Drive motor rating S2 60 min		kW		1.0
	6.2	Lift motor rating at S3 15%		kW		2.0 ²⁾
	6.4	Battery voltage/nominal capacity K _s		V/Ah		2x12/180 *)
	6.5	Battery weight		kg		2x92 ¹⁾
	6.6	Energy consumption according to VDI cycle		kWh/h		0,49
		Energy consumption acc. to EN16796:2016		kWh/h		0,42
	6.7	Turnover output		t/h		36,9
	6.8	Energy consumption at turnover output		kWh/h		0,81
Others	8.1	Type of drive control				Variable AC

¹⁾ Measured according to company standard

²⁾ S3 7%

*) Further alternatives are available and will produce other values.

Data is based on standard configurations: h₂₃ = 1580 mm Mono mast.

All data are based on table configuration. Other configurations may give other values.

Truck performance and dimensions are nominal and subject to tolerances.

Products and specifications are subject to change without notice.

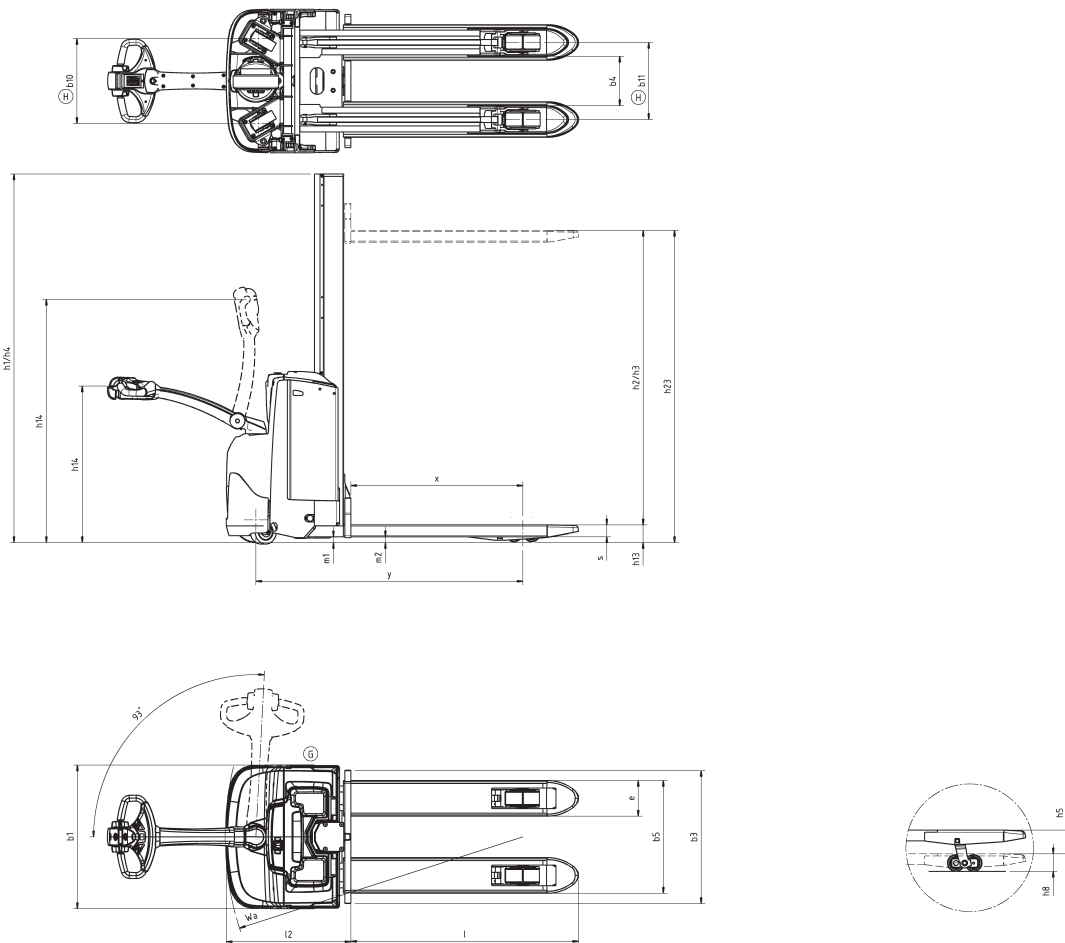
Battery dependent dimensions

BT staxio

Dimensions		SWE080L			
		Battery type		Lead/Acid	Li-Ion
		Battery compartment		Medium	Medium
1.9	Wheelbase, support arms raised/lowered	y	mm	1293/1352	1293/1352
2.1	Service weight including battery		kg	679	567
4.19	Overall length	l_1	mm	1777	1777
4.20	Length to face of forks	l_2	mm	627	627
4.34.1	Aisle width for pallets 1000x1200 crossways	A_{st}	mm	2256	2256
4.34.2	Aisle width for pallets 800x1200 lengthways	A_{st}	mm	2159	2159
4.35	Turning radius, forks raised	W_a	mm	1442	1442
6.4	Battery voltage, nominal capacity	K_5	V/Ah	24/180, 230	24/105
6.5	Battery weight, nominal		kg	184, 196	69
	Battery weight, min.—max.		kg	169 - 221	62 - 76

Mast dimensions

SWE080L			Mono		
h_{23}	Lift height ($h_{13} + h_3$)	mm	600	1060	1580
h_3	Lift	mm	510	970	1490
h_1	Height, mast lowered	mm	908	1368	1863
h_2	Free lift, ground to top of forks	mm	600	970	1580
h_4	Height, mast extended	mm	908	1368	1863



Truck features:

- BT Powerdrive System
- Castorlink System
- Fingertip controls
- Electronic braking system
- Electronic speed control
- Operator safety
- Storage compartments
- Automatic switch-off
- Click-2-creep
- Programmable performance
- Easy access for maintenance
- Built in charger (option)
- Toyota I_site: truck fleet management system (option)
- Hydraulic oil for low temperatures (option)

