

# Reach truck 1.6 ton



## BT reflex

*O-series*  
*Indoor/Outdoor*  
RRE160HR



# Reach truck, Indoor/Outdoor

Identification	1.1	Manufacturer			Toyota	
	1.2	Model			RRE160HR	
	1.3	Drive			Electric	
	1.4	Operator type			Seated	
	1.5	Load capacity/rated load	Q	kg	1600	
	1.6	Load centre	c	mm	600	
	1.8	Load distance, centre of support arm wheel to face of fork	x	mm	339	
	1.9	Wheelbase	y	mm	1421	
	Weight	2.1	Service weight including battery		kg	3812
2.3		Axle load, mast retracted without load, drive/support arm wheel		kg	2260/1552	
2.4		Axle load, mast extended with load, drive/support arm wheel		kg	623/4789	
2.5		Axle load, mast retracted with load, drive/support arm wheel		kg	1967/3445	
Wheels		3.1	Drive/support arm wheel			Redthane ® /Super-elastic
	3.2	Wheel size, front		mm	ø 457/155	
	3.3	Wheel size, rear		mm	ø 455x160	
	3.5	Wheels, number front/rear (x = driven wheels)			1x/2	
	3.7	Track width, rear	b <sub>11</sub>	mm	1256	
	Dimensions	4.1	Tilt of fork, forward/backward	$\alpha/\beta$	deg	4°/-2° *)
		4.2	Height, mast lowered	h <sub>1</sub>	mm	2957 *)
4.3		Free lift	h <sub>2</sub>	mm	2403 *)	
4.4		Lift	h <sub>3</sub>	mm	6945 *)	
		Lift height	h <sub>23</sub>	mm	7000 *)	
4.5		Height, mast extended	h <sub>4</sub>	mm	7610 *)	
4.7		Height of overhead guard (cabin)	h <sub>6</sub>	mm	2330	
4.8		Seat height	h <sub>7</sub>	mm	1268	
4.10		Height support arms	h <sub>8</sub>	mm	478	
4.15		Height, fork lowered	h <sub>13</sub>	mm	55	
4.19		Overall length	l <sub>1</sub>	mm	2494	
4.20		Length to face of forks	l <sub>2</sub>	mm	1344	
4.21		Overall width	b <sub>1</sub>	mm	1414	
4.22		Fork dimensions	s/e/l	mm	40/100/1150	
4.23		Fork carriage ISO 2328, class/type A, B			—	
4.24		Fork carriage width	b <sub>3</sub>	mm	819	
4.25		Width over forks	b <sub>5</sub>	mm	252-698	
4.26		Distance between wheel arms/loading surfaces	b <sub>4</sub>	mm	900	
4.28		Reach distance	l <sub>4</sub>	mm	614	
4.31		Ground clearance, with load, below mast	m <sub>1</sub>	mm	136	
4.32		Ground clearance, center of wheelbase	m <sub>2</sub>	mm	145	
4.34.1		Aisle width for pallets 1000x1200 crossways	A <sub>st</sub>	mm	2776	
4.34.2		Aisle width for pallets 800x1200 lengthways	A <sub>st</sub>	mm	2832	
4.35	Turning radius	W <sub>a</sub>	mm	1683		
4.37	Length across support arms	l <sub>7</sub>	mm	1933		
Performance data	5.1	Travel speed, with/without load		km/h	12/12	
	5.2	Lift speed, with/without load		m/s	0,36/0,68	
	5.2	Lift speed, with/without load (High speed version)		m/s	0,50/0,68	
	5.3	Lowering speed, with/without load		m/s	0,59/0,55	
	5.4	Reach speed, with/without load		m/s	0,20/0,28	
	5.8	Max. gradeability, with/without load <sup>1)</sup>		%	10/15	
	5.9	Acceleration time with/without load (over 10 m)		s		
	5.10	Service brake			Electric	
	Electric motor	6.1	Drive motor rating S2 60 min		kW	10,5
		6.2	Lift motor rating S3 15%		kW	11,0
6.2		Lift motor rating S3 15% (High speed version)		kW	15,0	
6.4		Battery voltage, nominal capacity K <sub>5</sub>		V/Ah	48/620	
6.5		Battery weight		kg	875	
6.6		Energy consumption acc to VDI		kWh/h		
6.6		Energy consumption acc to EN16796:2016		kWh/h		
6.7		Turnover output acc VDI 2198		t/h		
6.8	Energy consumption at turnover output		kWh/h			
Other	8.1	Type of drive control			Variable AC	
	8.4	Sound level at the driver's ear according to EN 12 053		dB(A)	66	

1) Measured according to company standard

\*) Other alternatives are available

All data are based on table configuration. Other configurations may give other values.

Truck performance and dimensions are nominal and subject to tolerances.

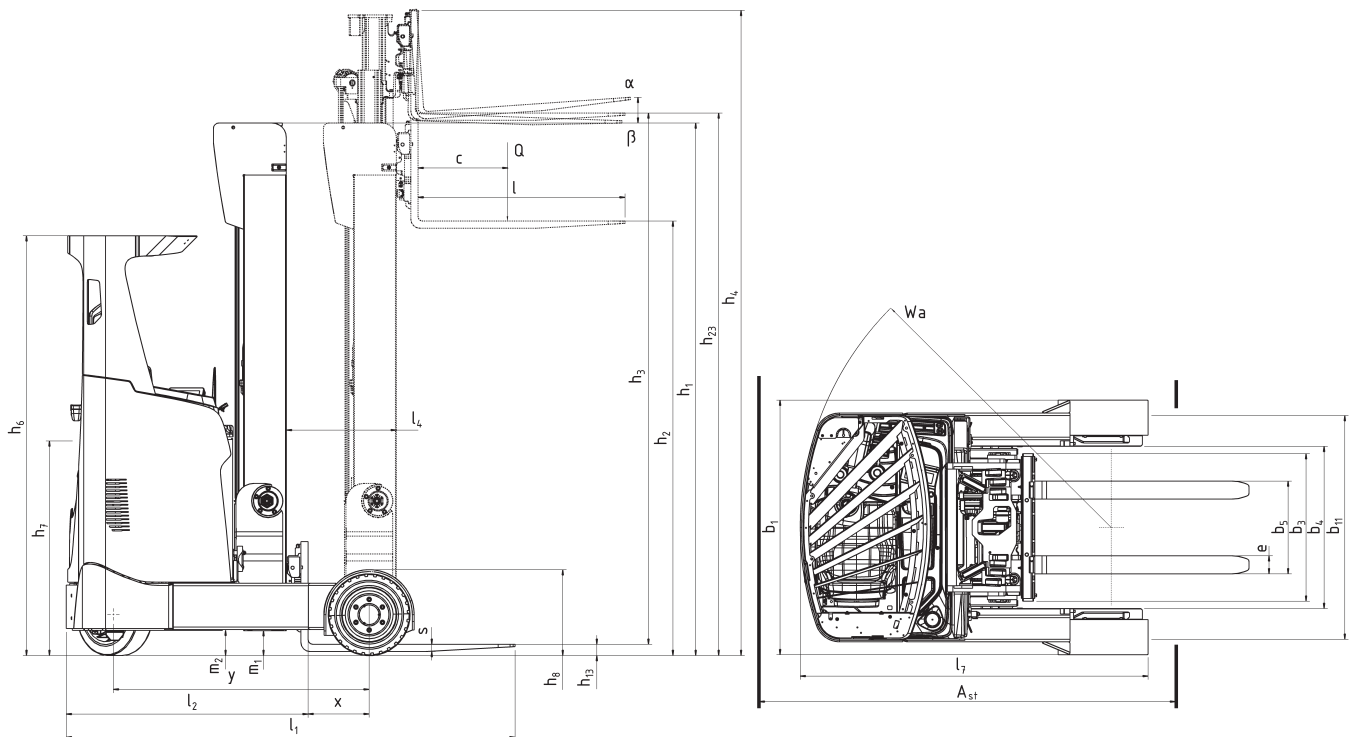
Toyota Material Handling products and specifications are subject to change without notice.

# Battery compartment

Dimensions				RRE160HR	
Mast type				Triplex Hi-Lo - A	
	Battery compartment		mm	347	
1.8	Load distance, centre of support arm wheel to face of forks	x	mm	339	
4.20	Length to face of forks	$l_2$	mm	1344	
4.33	Aisle width for pallets 1000x1200 crossways	$A_{st}$	mm	2776	
4.34	Aisle width for pallets 800x1200 lengthways	$A_{st}$	mm	2832	
4.35	Turning radius	$W_a$	mm	1683	
6.4	Battery voltage, nominal capacity, Lead-Acid	$K_5$	V/Ah	48/620	
	Battery voltage, nominal capacity, Li-Ion	$K_5$	V/Ah	48/300-420	
6.5	Battery weight, min.—max.		kg	875/1030	

# Mast dimensions

RRE160HR				Triplex Hi-Lo - A						
	Lift height	$h_{23}$	mm	4900	5400	5700	6300	7000	7250	7500
4.4	Lift	$h_3$	mm	4845	5345	5645	6245	6945	7195	7445
4.2	Height, mast lowered	$h_1$	mm	2257	2424	2524	2724	2957	3041	3124
4.3	Free lift	$h_2$	mm	1703	1871	1971	2171	2403	2487	2571
4.5	Height, mast extended	$h_4$	mm	5510	6011	6311	6911	7610	7862	8111





TMHE-Toyota Material Handling Europe — Version 1, 2021-05-11

**TOYOTA**

MATERIAL HANDLING