

Electric towing tractor 25.0-29.0 ton

TTRACTO

R-series

TE252

TE293



Electric towing tractor 25.0-29.0 ton

Truck specifications					TE252	TE293
Identification	1.1	Manufacturer			Toyota	Toyota
	1.2	Model			TE252	TE293
	1.3	Drive			Electric	Electric
	1.4	Operator type			Sit-on	Sit-on
	1.5	Load capacity/rated load ¹⁾	Q	kg	25000	29000
	1.7	Rated drawbar pull	F	N	5800	5800
	1.9	Wheelbase	y	mm	1550	1550
Weight	2.1	Service weight		kg	3670	4000
	2.2	Axle load, with load, front/rear		kg	2100 / 1930	2220 / 2140
	2.3	Axle load, without load, front/rear		kg	1900 / 1770	2020 / 1980
Wheels	3.1	Tyre - Cushion(Cu), Extra-elastic(SE), Pneumatic(Pn),Polyurethane			SE/Pn	SE/Pn
	3.2	Wheel size, front			6.50-10	6.50-10
	3.3	Wheel size, rear			7.00-12	7.00-12
	3.5	Wheels, number front/rear (x = driven wheels)			2/2x	2/2x
	3.6	Track width, front	b ₁₀	mm	1115	1115
	3.7	Track width, rear	b ₁₁	mm	1130	1130
	Dimensions	4.7	Height of cab	h ₆	mm	1900
4.8		Seat height	h ₇	mm	890	890
4.12		Coupling height	h ₁₀	mm	310-365-420-475-530	310-365-420-475-530
4.13		Loading height, unloaded	h ₁₁	mm	1070	1070
4.16		Length of loading surface	l ₃	mm	1430	1430
4.17		Overhang	l ₅	mm	457	457
4.18		Width of loading surface	b ₉	mm	1060	1060
4.19		Overall length	l ₁	mm	2996	2996
4.21		Overall width	b ₁	mm	1300	1300
4.32		Ground clearance, centre of wheelbase	m ₂	mm	205	205
4.35		Turning radius	W _a	mm	3140	3140
4.36		Internal turning radius	b ₁₃	mm	1252	1252
Performance data		5.1	Travel speed, with/without load		km/h	14 / 25
	5.6	Max. drawbar pull		N	19000	20000
	5.7	Gradeability ²⁾		%	See chart	See chart
	5.8	Max. gradeability loaded/unloaded		%	See chart	See chart
	5.10	Service / parking brake (I=Hydraulic E=Electromagnetic M=Mechanical)			I / I	I / I
	5.10.1	Type of service brake front/rear			Disk / mult. disks	Disk / mult. disks
Electric motor	6.1	Drive motor rating S2 60 min		kW	2*10	2*10
	6.3	Battery according to DIN 43531 / 35 / 36 A, B, C, no			43536 A	43536 A
	6.4	Battery voltage, nominal capacity ²⁾	K ₅	V/Ah	80/620	80/620
	6.5	Battery weight		kg	1565	1565
	6.6	Energy consumption according to EN 16796		kWh/h	7,98	9,14
	Others	8.1	Electronics control			Inverter AC
8.4		Sound level at driver's ear according to EN 12053		dB(A)	69	69

¹⁾ Loading surface capacity: 200 kg.

²⁾ Performances and weight are intended with 620 Ah battery.

As per VDI guidelines 2198, this datasheet applies to standard electric tractor / platform truck only.

Dimensions are not binding and can be changed in any moment. The performances must be intended for brand new machines, after having completed the running-in tested in Toyota factory in normal climatic conditions.

Performances and weight are to be intended with standard motors and battery and with superelastic tires.

Some data can vary according to different equipments.

Dimensional drawings

TRACTO

TE252

EXAMPLE OF GRAPH READING:

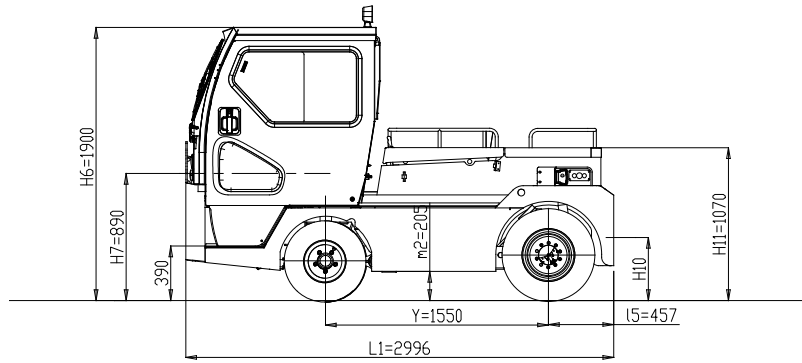
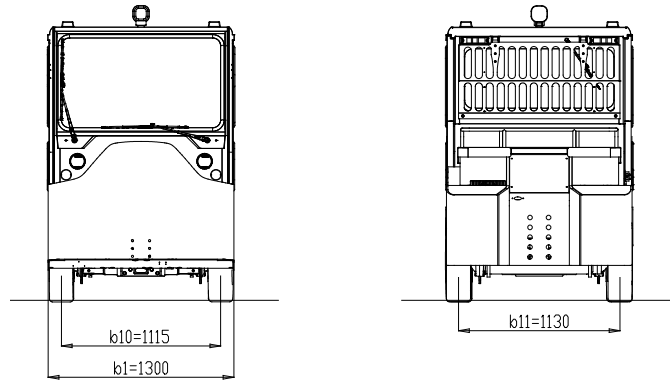
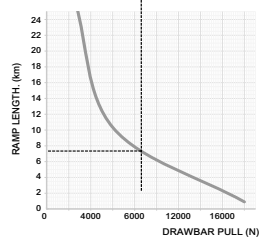
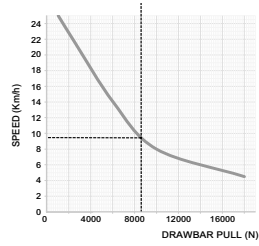
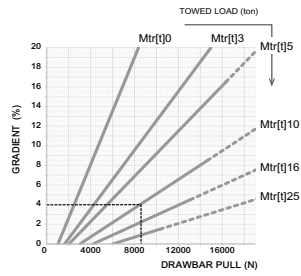
TOWED LOAD = 10 t

GRADIENT (i) = 4 %

DRAWBALL PUL (F) = 8600 N

SPEED (V0) = 9,5 km/h

MAX. PRACTICABLE RAMP LENGTH (s) = 7,5 km



TE293

EXAMPLE OF GRAPH READING:

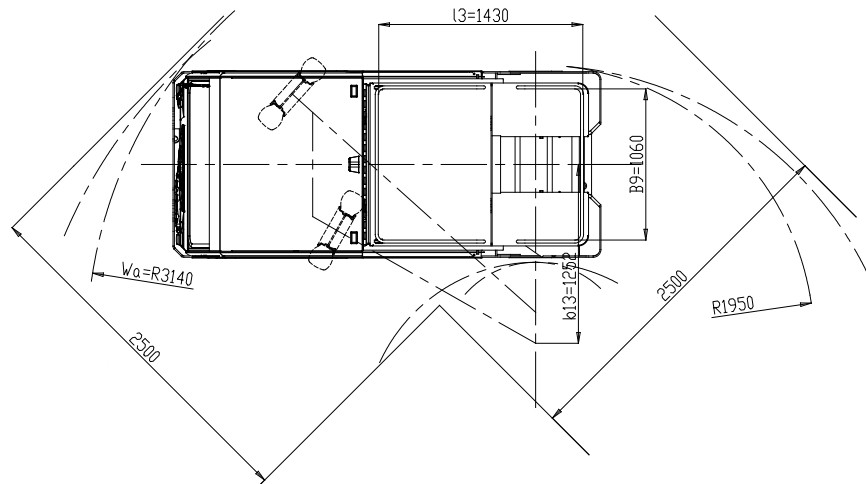
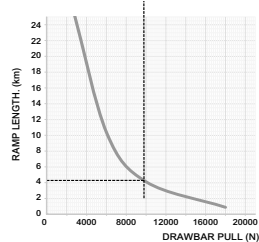
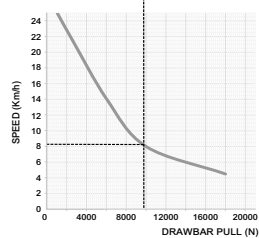
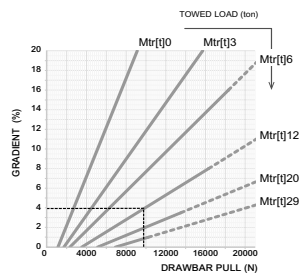
TOWED LOAD = 12 t

GRADIENT (i) = 4 %

DRAWBALL PUL (F) = 9900 N

SPEED (V0) = 8 km/h

MAX. PRACTICABLE RAMP LENGTH (s) = 4,1 km



Standard equipments:

- Inching buttons
- Hydraulic steering
- AC power system
- High-thickness polyethylene bumpers in front and rear
- Front manual towing hitch
- Adjustable steering column
- Rear motion buzzer
- Rear platform with 200 kg capacity
- Digital dashboard including battery charge level pilot, trouble shooting check system, speedometer, odometer and hourcounter

